

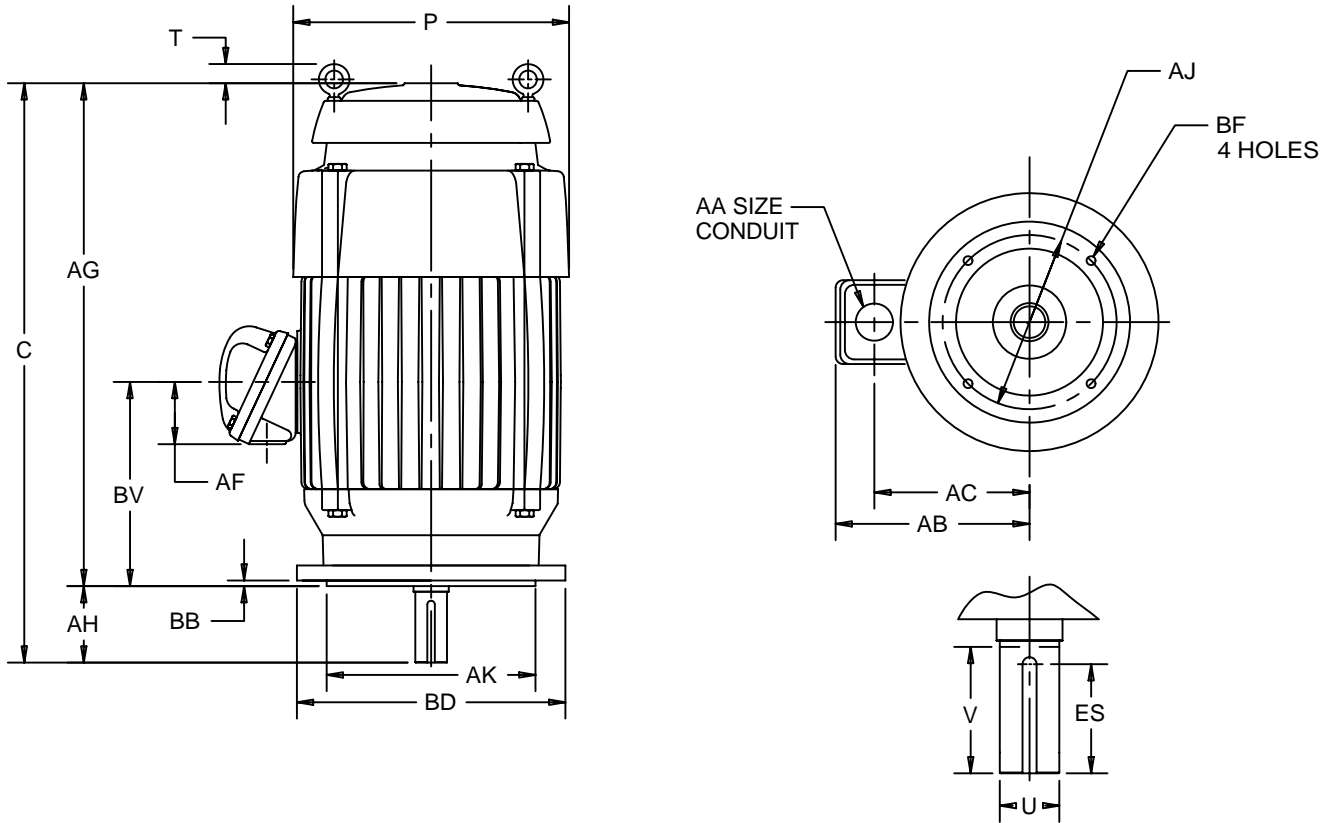
EFFECTIVE:
01-APR-11

SUPERSEDES:
11-MAR-11

VERTICAL MOTORS
TEFC WITH CAST IRON CONDUIT BOX
FRAME: 213, 215TC
BASIC TYPE: CEF, CTF, TCF, TV, TVC

PRINT:
09-2350

SHEET:
1 OF 1



ALL DIMENSIONS ARE IN INCHES AND MILLIMETERS

UNITS	C	P ⁴	T	U -.0005	V MIN	AA	AB	AC	AF	AG	AH ⁵	AJ	AK -.003
IN	23.56	11.06	1.31	1.3750	3.13	1 NPT	9.81	7.25	2.00	20.44	3.13	7.250	8.500
MM	598	281	33	34.925	80		249	184	51	519	80	184.15	215.90

UNITS	BB MAX	BD MAX	BF ²	BV	ES MIN	SQ KEY
IN	.25	9.00	3/8-16 X .75	8.00	2.41	.313
MM	6	229		203	61	7.95

TOLERANCES	
FACE RUNOUT	.004 T.I.R.
PERMISSIBLE ECCENTRICITY OF MOUNTING RABBET	.004 T.I.R.
PERMISSIBLE SHAFT RUNOUT	.002 T.I.R.
FOR SPECIAL SHAFT RUNOUT	.001 T.I.R.

1: ALL ROUGH CASTING DIMENSIONS MAY VARY BY .25"
DUE TO CASTING AND/OR FABRICATION VARIATIONS.
2: TAP SIZE AND BOLT PENETRATION ALLOWANCE

3: CONDUIT OPENING MAY BE LOCATED IN STEPS
OF 90 DEGREES,
STANDARD AS SHOWN WITH CONDUIT OPENING DOWN.
4: LARGEST MOTOR WIDTH.
5: DIMENSION MEASURED WITH MOTOR IN VERTICAL
POSITION SHAFT DOWN.
6: TOLERANCES SHOWN ARE IN INCHES ONLY.

09-2350/B

Nidec Motor Corporation
St. Louis, Missouri

INFORMATION DISCLOSED ON THIS DOCUMENT
IS CONSIDERED PROPRIETARY AND SHALL NOT BE
REPRODUCED OR DISCLOSED WITHOUT WRITTEN
CONSENT OF NIDEC MOTOR CORPORATION



ISSUED BY
R. KING
APPROVED BY
J. O'BRIEN

IHP_DP_NMCA (MAR-2011) SOLIDEDGE