

EFFECTIVE:
14-MAR-11

SUPERSEDES:
11-MAY-06

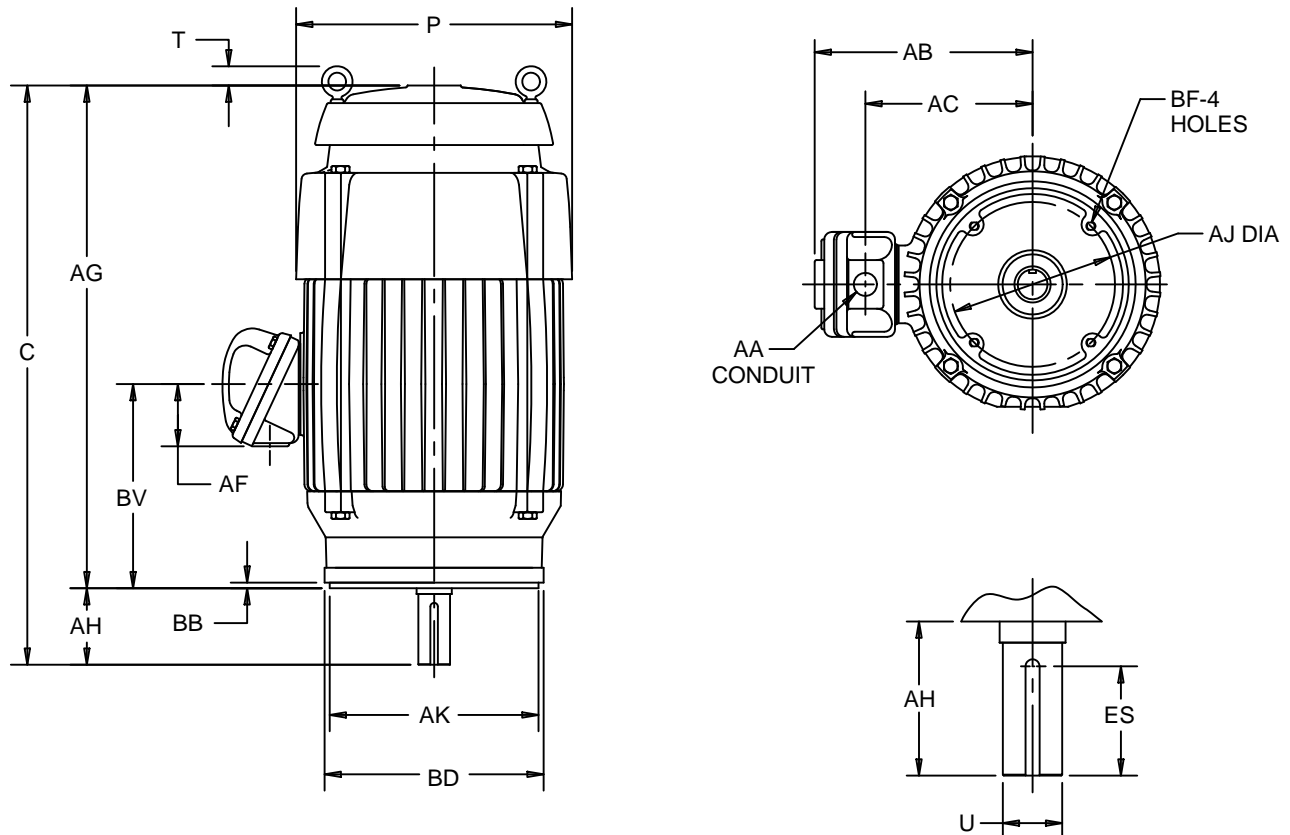
VERTICALLY MOUNTED MOTOR

TOTALLY ENCLOSED FAN COOLED

FRAME: 254, 256TC, TCV
BASIC TYPE: CEF, TCF, TVC

PRINT:
09-2351

SHEET:
1 OF 1



ALL DIMENSIONS ARE IN INCHES AND MILLIMETERS

UNITS	C	P ²	T	U -.001	AA	AB	AC	AF	AG	AH
IN	28.56	13.19	1.63	1.625	1-1/2 NPT	11.56	8.56	2.63	24.81	3.75
MM	725	335	41	41.28		294	217	67	630	95

UNITS	AJ	AK -.003	BB MIN	BD MAX	BF ⁴	BV	ES MIN	SQ KEY
IN	7.250	8.500	.25	9.00	1/2-13 X .75	10.00	2.91	.375
MM	184.15	215.90	6	229		254	74	9.53

TOLERANCES	
FACE RUNOUT	.004 T.I.R.
PERMISSIBLE ECCENTRICITY OF MOUNTING RABBET	.004 T.I.R.
PERMISSIBLE SHAFT RUNOUT	.002 T.I.R.
FOR SPECIAL SHAFT RUNOUT	.001 T.I.R.

- 1: ALL ROUGH DIMENSIONS MAY VARY BY .25" DUE TO CASTING AND/OR FABRICATION VARIATIONS.
- 2: LARGEST MOTOR WIDTH.
- 3: CONDUIT BOX OPENING MAY BE LOCATED IN STEPS OF 90 DEGREES REGARDLESS OF LOCATION. STANDARD AS SHOWN WITH CONDUIT OPENING DOWN.
- 4: TAP SIZE AND BOLT PENETRATION ALLOWANCE.
- 5: ALL TAPPED HOLES ARE UNIFIED NATIONAL COARSE, RIGHT HAND THREAD.
- 6: TOLERANCES SHOWN ARE IN INCHES ONLY.

09-2351/D

Nidec Motor Corporation
St. Louis, Missouri

INFORMATION DISCLOSED ON THIS DOCUMENT IS CONSIDERED PROPRIETARY AND SHALL NOT BE REPRODUCED OR DISCLOSED WITHOUT WRITTEN CONSENT OF NIDEC MOTOR CORPORATION



ISSUED BY
L. CUESTA
APPROVED BY
F. LARA

IHP_DP_NMCA (MAR-2011) SOLIDEDGE