

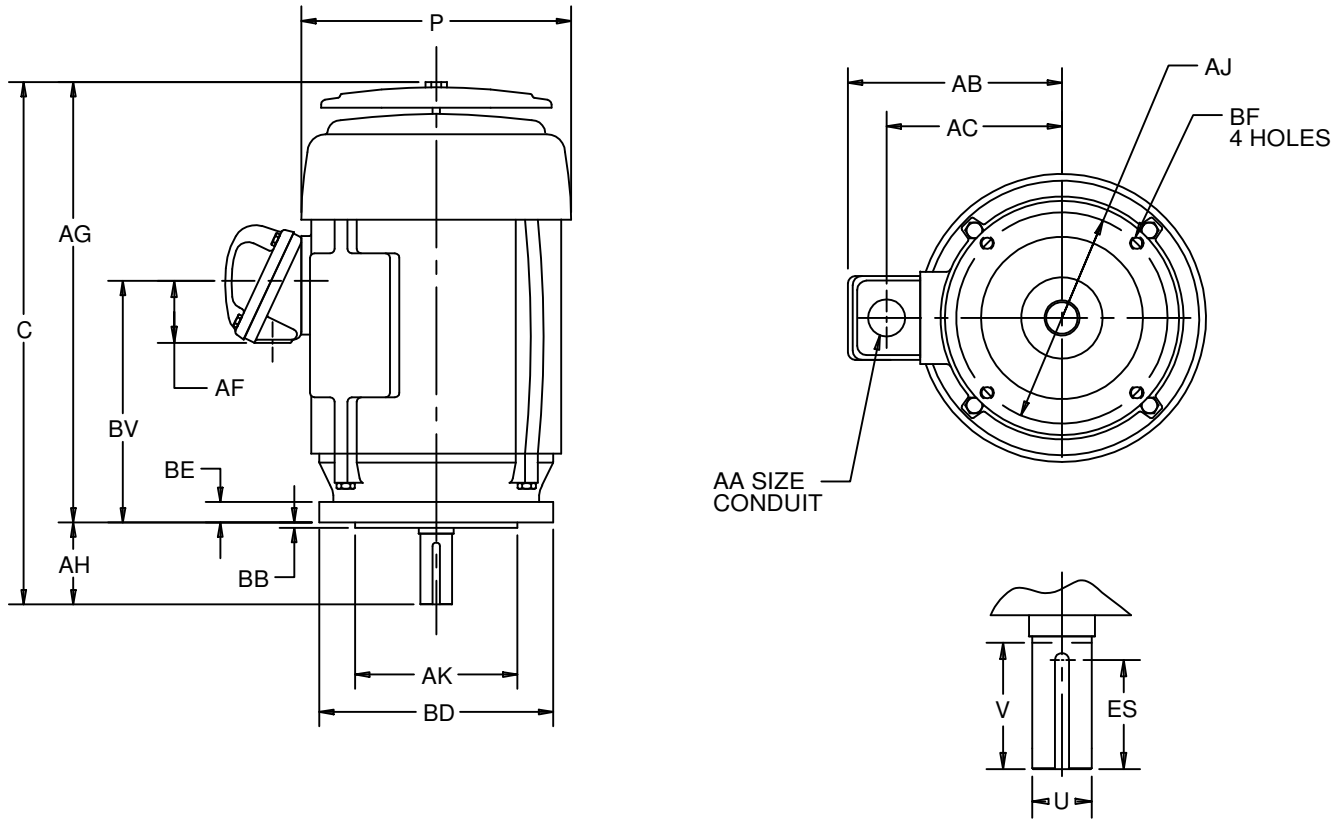
EFFECTIVE:
26-JUL-11

SUPERSEDES:
06-DEC-01

VERTICAL MOTORS
EXPLOSION PROOF
FRAME: 143, 145TC, TCV
BASIC TYPE: LF, LV, NF, NV

PRINT:
09-2355

SHEET:
1 OF 1



ALL DIMENSIONS ARE IN INCHES AND MILLIMETERS

UNITS	C	P ⁴	U -.0005	V MIN	AA	AB	AC	AF	AG	AH ⁵	AJ	AK -.003
IN	14.50	7.75	.8750	2.00	3/4 NPT	6.56	5.19	1.75	12.38	2.13	5.875	4.500
mm	368	197	22.225	51		167	132	44	314	54	149.23	114.30

UNITS	BB MAX	BD MAX	BE	BF ²	BV	ES MIN	SQ KEY
IN	.16	6.50	.56	3/8 16 X .56	6.81	1.41	.188
mm	4	165	14		173	36	4.78

- 1: ALL ROUGH DIMENSIONS MAY VARY BY .25" DUE TO CASTING AND/OR FABRICATION VARIATIONS.
- 2: TAP SIZE AND BOLT PENETRATION ALLOWANCE
- 3: CONDUIT OPENING MAY BE LOCATED IN STEPS OF 90 DEGREES, REGARDLESS OF LOCATION. STANDARD AS SHOWN WITH CONDUIT OPENING DOWN.
- 4: LARGEST MOTOR WIDTH.
- 5: DIMENSION MEASURED WITH MOTOR IN VERTICAL POSITION SHAFT DOWN.
- 6: TOLERANCES SHOWN ARE IN INCHES ONLY.

TOLERANCES	
FACE RUNOUT	.004 T.I.R.
PERMISSIBLE ECCENTRICITY OF MOUNTING RABBET	.004 T.I.R.
PERMISSIBLE SHAFT RUNOUT	.002 T.I.R.

09-2355/A

Nidec Motor Corporation
St. Louis, Missouri

INFORMATION DISCLOSED ON THIS DOCUMENT IS CONSIDERED PROPRIETARY AND SHALL NOT BE REPRODUCED OR DISCLOSED WITHOUT WRITTEN CONSENT OF NIDEC MOTOR CORPORATION



ISSUED BY
E. WENDT
APPROVED BY
K. POTTER

IHP_DP_NMCA (MAR-2011) SOLIDEDGE