

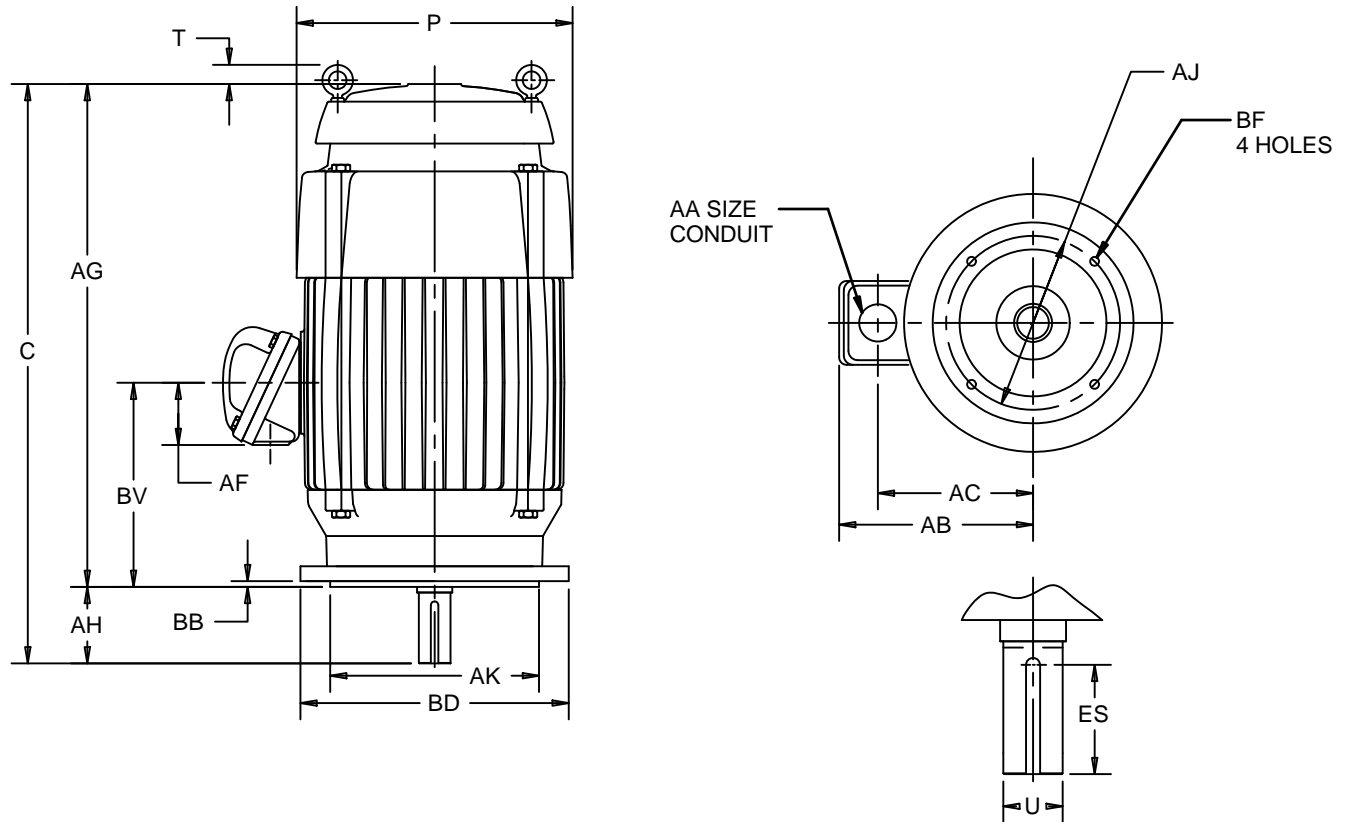
EFFECTIVE:
09-MAR-17

SUPERSEDES:
21-JUL-11

DIMENSION PRINT
EXPLOSION PROOF VERTICALLY MOUNTED MOTOR
FRAME: 250TC,TCV
BASIC TYPE: LF,LV,NF,NV

PRINT:
09-2358

SHEET:
1 OF 1



ALL DIMENSIONS ARE IN INCHES AND MILLIMETERS

UNITS	C	P ⁴	T	U -.001	AA	AB	AC	AF	AG	AH ⁵	AJ	AK -.003
IN	28.56	13.19	1.63	1.625	1 1/2 NPT	11.50	8.25	3.13	24.81	3.75	7.250	8.500
MM	725	335	41	41.28		292	219	80	630	95	184.15	215.90

UNITS	BB MAX	BD MAX	BF ²	BV	ES MIN	SQ KEY
IN	.25	10.00	1/2 13 X .75	10.00	2.88	.375
MM	6	254		254	73	9.53

TOLERANCES	
FACE RUNOUT	.004 T.I.R.
PERMISSIBLE ECCENTRICITY OF MOUNTING RABBET	.004 T.I.R.
PERMISSIBLE SHAFT RUNOUT	.002 T.I.R.

1. ALL ROUGH CASTING DIMENSIONS MAY VARY BY .25" DUE TO CASTING AND/OR FABRICATION VARIATIONS.
2. TAP SIZE AND BOLT PENETRATION ALLOWANCE

3. CONDUIT OPENING MAY BE LOCATED IN STEPS OF 90 DEGREES, STANDARD AS SHOWN WITH CONDUIT OPENING DOWN.
4. LARGEST MOTOR WIDTH.
5. DIMENSION MEASURED WITH MOTOR IN VERTICAL POSITION SHAFT DOWN.
6. TOLERANCES SHOWN ARE IN INCHES ONLY.

09-2358/C

Nidec Motor Corporation
St. Louis, Missouri

INFORMATION DISCLOSED ON THIS DOCUMENT IS CONSIDERED PROPRIETARY AND SHALL NOT BE REPRODUCED OR DISCLOSED WITHOUT WRITTEN CONSENT OF NIDEC MOTOR CORPORATION



ISSUED BY
R. MARTINEZ
APPROVED BY
M. TREJO

IHP_DP_NMCA (MAR-2011) SOLIDEDGE