

EFFECTIVE:
19-JUL-12

SUPERSEDES:
26-JAN-07

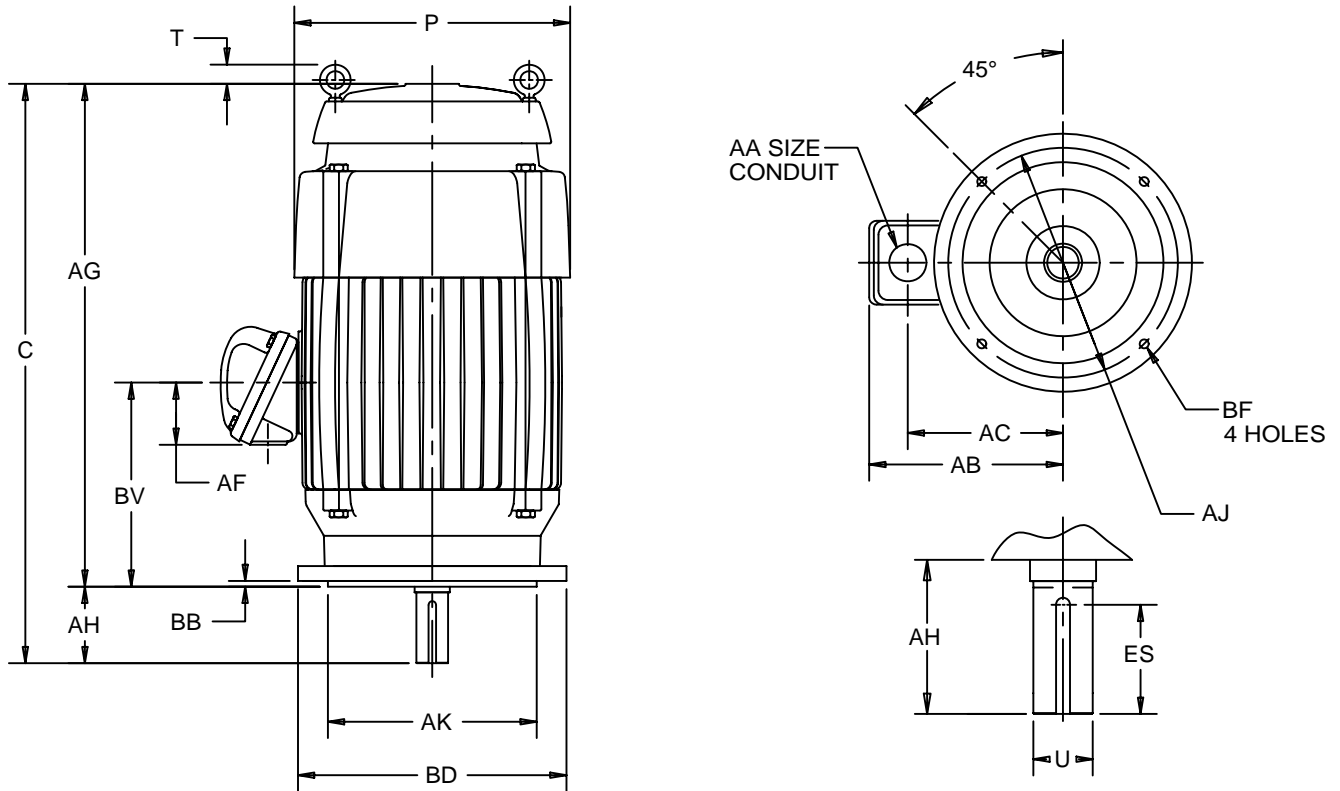
VERTICALLY MOUNTED MOTOR

EXPLOSION PROOF

FRAME: 324, 326TC, TCV
BASIC TYPE: LF, LV, NF, NV

PRINT:
09-2360

SHEET:
1 OF 1



ALL DIMENSIONS ARE IN INCHES AND MILLIMETERS

UNITS	C	P ²	T	U -.001	AA	AB	AC	AF	AG	AH ⁶
IN	34.75	17.00	.88	2.125	2 NPT	15.88	11.25	3.88	29.75	5.00
MM	883	432	22	53.98		403	286	99	756	127

UNITS	AJ	AK -.005	BB MIN	BD MAX	BF ³	BV	ES MIN	SQ KEY
IN	11.000	12.500	.25	14.00	5/8-11 X .94	11.50	3.91	.500
MM	279.40	317.50	6	356		292	99	12.70

TOLERANCES	
FACE RUNOUT	.007 T.I.R.
PERMISSIBLE ECCENTRICITY OF MOUNTING RABBET	.007 T.I.R.
PERMISSIBLE SHAFT RUNOUT	.003 T.I.R.

- 1: ALL ROUGH DIMENSIONS MAY VARY BY .25" DUE TO CASTING AND/OR FABRICATION VARIATIONS.
- 2: LARGEST MOTOR WIDTH.
- 3: TAP SIZE AND BOLT PENETRATION ALLOWANCE.
- 4: ALL TAPPED HOLES ARE UNIFIED NATIONAL COARSE, RIGHT HAND THREAD.

- 5: CONDUIT OPENING MAY BE LOCATED IN STEPS OF 90 DEGREES, STANDARD AS SHOWN WITH CONDUIT OPENING DOWN.
- 6: DIMENSION MEASURED WITH MOTOR IN VERTICAL POSITION SHAFT DOWN.
- 7: TOLERANCES SHOWN ARE IN INCHES ONLY.

09-2360/D

Nidec Motor Corporation
St. Louis, Missouri

INFORMATION DISCLOSED ON THIS DOCUMENT IS CONSIDERED PROPRIETARY AND SHALL NOT BE REPRODUCED OR DISCLOSED WITHOUT WRITTEN CONSENT OF NIDEC MOTOR CORPORATION



ISSUED BY
R. KING
APPROVED BY
J. O'BRIEN

IHP_DP_NMCA (MAR-2011) SOLIDEDGE