

EFFECTIVE:
21-JUL-11

SUPERSEDES:
25-AUG-06

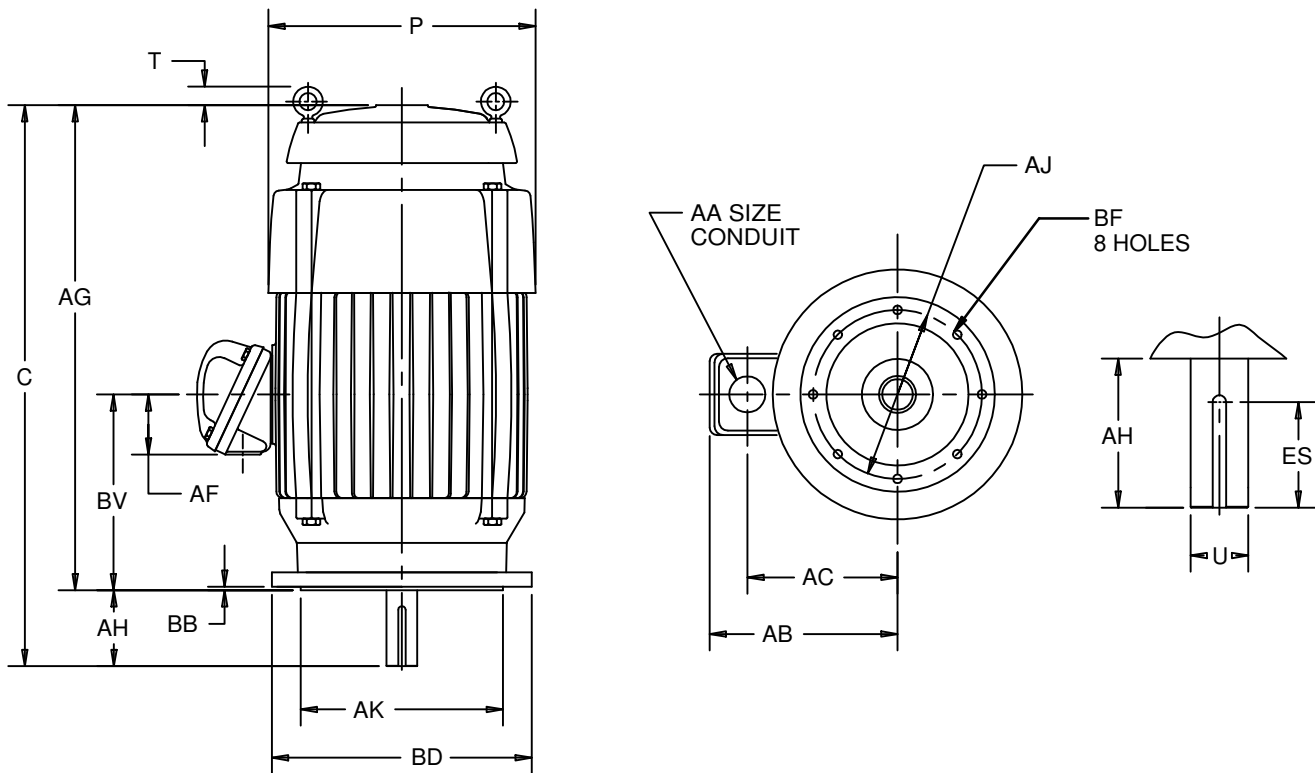
VERTICALLY MOUNTED MOTOR

EXPLOSION PROOF

FRAME: 364, 365TC, TCV
BASIC TYPE: LF, LV, NF, NV

PRINT:
09-2361

SHEET:
1 OF 1



ALL DIMENSIONS ARE IN INCHES AND MILLIMETERS

UNITS	C	P ⁵	T	U -.001	AA	AB	AC	AF	AG	AH	AJ	AK -.003
IN	37.38	18.75	1.31	2.375	3 NPT	17.53	12.50	4.56	31.75	5.63	11.000	12.500
mm	949	476	33	60.33		445	318	116	806	143	279.40	317.50

UNITS	BB MIN	BD MAX	BF ²	BV	ES MIN	SQ KEY
IN	.25	14.00	5/8 11 X .94	12.50	4.28	.625
mm	6	356		318	109	15.88

TOLERANCES	
FACE RUNOUT	.007 T.I.R.
PERMISSIBLE ECCENTRICITY OF MOUNTING RABBET	.007 T.I.R.
PERMISSIBLE SHAFT RUNOUT	.003 T.I.R.

1: ALL ROUGH CASTING DIMENSIONS MAY VARY BY .25" DUE TO CASTING AND/OR FABRICATION VARIATIONS.
2: TAP SIZE AND BOLT PENETRATION ALLOWANCE.
3: ALL TAPPED HOLES ARE UNIFIED NATIONAL COARSE, RIGHT HAND THREAD.

4: CONDUIT OPENING MAY BE LOCATED IN STEPS OF 90 DEGREES, STANDARD AS SHOWN WITH CONDUIT OPENING DOWN.
5: LARGEST MOTOR WIDTH.
6: TOLERANCES SHOWN ARE IN INCHES ONLY.

09-2361/B

Nidec Motor Corporation
St. Louis, Missouri

INFORMATION DISCLOSED ON THIS DOCUMENT IS CONSIDERED PROPRIETARY AND SHALL NOT BE REPRODUCED OR DISCLOSED WITHOUT WRITTEN CONSENT OF NIDEC MOTOR CORPORATION



ISSUED BY
E. WENDT
APPROVED BY
K. POTTER

IHP_DP_NMCA (MAR-2011) SOLIDEDGE