

EFFECTIVE:  
02-AUG-11

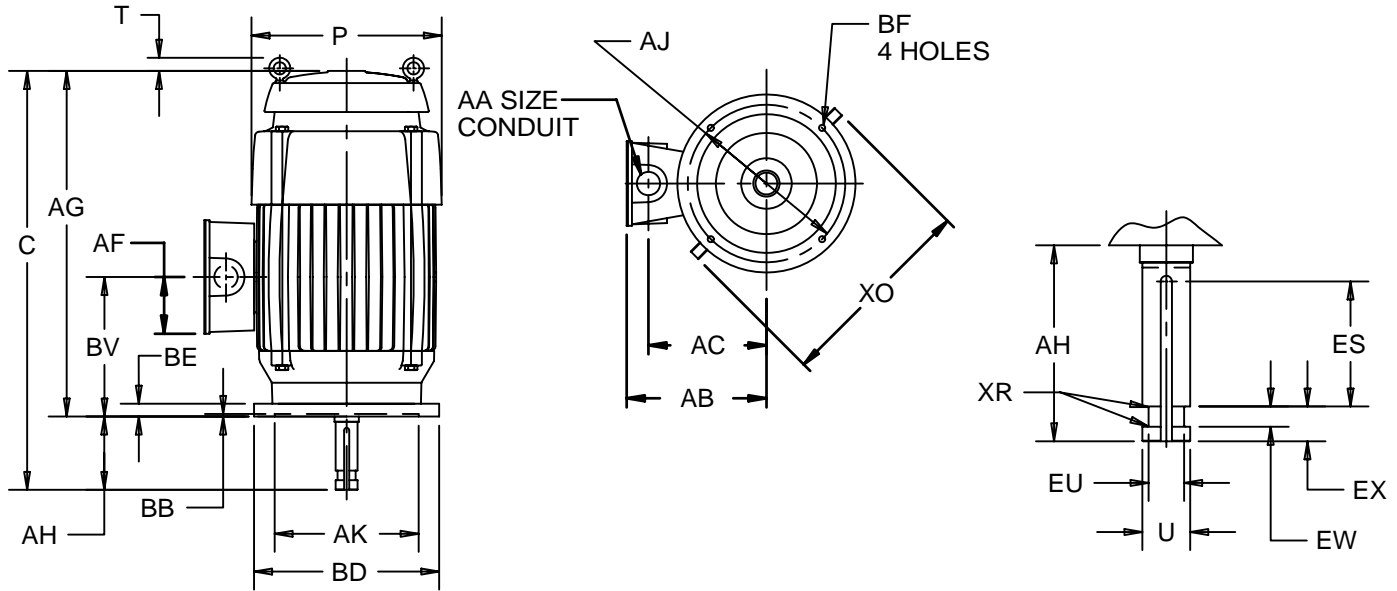
# VERTICAL MOTORS

PRINT:  
09-2380

SUPERSEDES:  
18-MAR-02

TEFC  
FRAME: 182, 184VP  
BASIC TYPE: TV

SHEET:  
1 OF 1



ALL DIMENSIONS ARE IN INCHES AND MILLIMETERS

UNITS	C	P <sup>2</sup>	T	U -.0005	AA	AB	AC	AF	AG	AH ±.062	AJ
IN	22.19	11.13	1.31	1.1250	1 NPT	7.31	6.13	3.19	19.44	2.750	9.125
MM	564	283	33	28.575		185	156	81	494	69.85	231.78

UNITS	AK +.003	BB MIN	BD MAX	BE	BF	BV	ES MIN	EU -.005	EW +.002	EX -.005	XO	XR	SQ KEY
IN	8.250	.19	10.00	.75	.44	8.00	1.25	.875	.375	.750	13.50	.03	.250
MM	209.55	5	254	19	11	203	32	22.23	9.53	19.05	343	1	6.35

- 1: ALL ROUGH CASTING DIMENSIONS MAY VARY BY .25" DUE TO CASTING AND/OR FABRICATION VARIATIONS.
- 2: LARGEST MOTOR WIDTH.
- 3: CONDUIT OPENING MAY BE LOCATED IN STEPS OF 90°. STANDARD AS SHOWN WITH CONDUIT OPENING DOWN.
- 4: TOLERANCES SHOWN ARE IN INCHES.

TOLERANCES	
FACE RUNOUT	.004 T.I.R.
PERMISSIBLE ECCENTRICITY OF MOUNTING RABBET	.004 T.I.R.
PERMISSIBLE SHAFT RUNOUT	.001 T.I.R.
PERMISSIBLE SHAFT ENDPLAY	.0015 MAX

09-2380/A

**Nidec Motor Corporation**  
St. Louis, Missouri

INFORMATION DISCLOSED ON THIS DOCUMENT IS CONSIDERED PROPRIETARY AND SHALL NOT BE REPRODUCED OR DISCLOSED WITHOUT WRITTEN CONSENT OF NIDEC MOTOR CORPORATION



ISSUED BY  
**R. KING**  
APPROVED BY  
**K. POTTER**

IHP\_DP\_NMCA (MAR-2011) SOLIDEDGE