

EFFECTIVE:
17-AUG-11

SUPERSEDES:
01-MAR-11

VERTICAL MOTORS

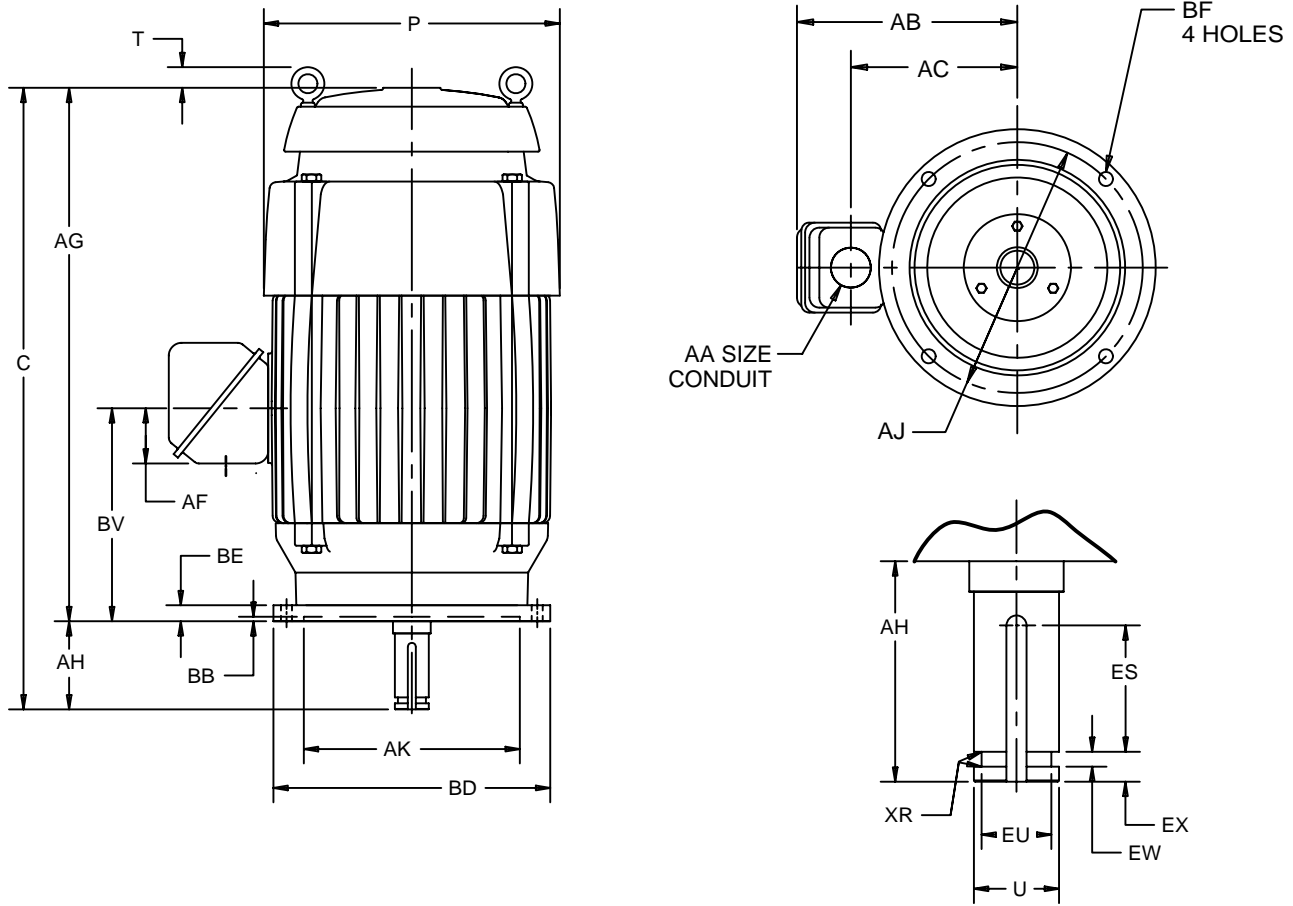
TEFC

FRAME: 324, 326VP, VPH

BASIC TYPE: TV

PRINT:
09-2384

SHEET:
1 OF 1



ALL DIMENSIONS ARE IN INCHES AND MILLIMETERS

UNITS	C	P ²	T	U -.001	AA	AB	AC	AF	AG
IN	34.69	17.00	.88	1.625	2.00	14.13	10.75	3.25	30.19
MM	881	432	22	41.28		359	273	83	767

UNITS	AH ±.063	BE	BV	ES MIN	EU -.005	EW +.002	EX -.005	XR	SQ KEY
IN	4.500	1.00	11.94	3.00	1.250	.375	.750	.03	.375
MM	114.30	25	303	76	31.75	9.53	19.05	1	9.53

FRAME	UNITS	AJ	AK	BB MIN	BD MAX	BF
320VP	IN	14.750	13.500	.25	16.50	.69
	MM	374.65	342.90	6	419	18
320VPH	IN	9.125	8.250	.19	12.00	.44
	MM	231.78	209.55	5	305	11

1. ALL ROUGH DIMENSIONS MAY VARY BY .25" DUE TO CASTING AND/OR FABRICATION VARIATIONS.
2. LARGEST MOTOR WIDTH.
3. CONDUIT OPENINGS MAY BE LOCATED IN STEPS OF 90 DEGREES REGARDLESS OF LOCATION. STANDARD AS SHOWN WITH CONDUIT OPENING DOWN.
4. TOLERANCES SHOWN ARE IN INCHES ONLY.

TOLERANCES	8.250 AK	13.500 AK
FACE RUNOUT	.004 T.I.R.	.007 T.I.R.
PERMISSIBLE ECCENTRICITY OF MOUNTING RABBET	.004 T.I.R.	.007 T.I.R.
PERMISSIBLE SHAFT RUNOUT	.002 T.I.R.	.002 T.I.R.
TOLERANCE ON AK-DIMENSION	+.003	+.005

09-2384/B

Nidec Motor Corporation
St. Louis, Missouri

INFORMATION DISCLOSED ON THIS DOCUMENT IS CONSIDERED PROPRIETARY AND SHALL NOT BE REPRODUCED OR DISCLOSED WITHOUT WRITTEN CONSENT OF NIDEC MOTOR CORPORATION



ISSUED BY
R. KING
APPROVED BY
J. O'BRIEN

IHP_DP_NMCA (MAR-2011) SOLIDEDGE