

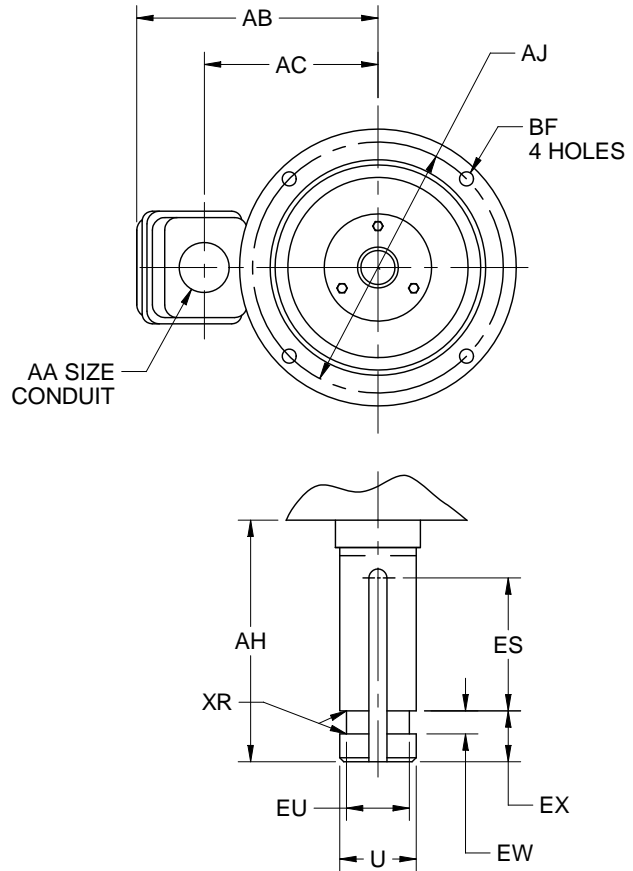
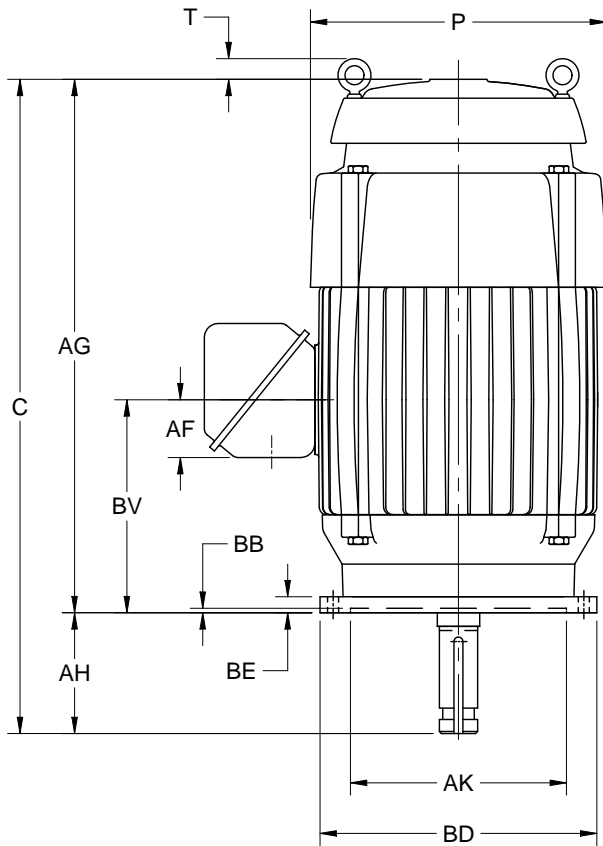
EFFECTIVE:
11-JUL-12

SUPERSEDES:
24-MAY-11

VERTICAL MOTORS
TEFC
FRAME: 364, 365VP, VPZ
BASIC TYPE: TV

PRINT:
09-2385

SHEET:
1 OF 1



ALL DIMENSIONS ARE IN INCHES AND MILLIMETERS

UNITS	C	P ²	T	AA	AB	AC	AF	AG	AH ±.063	AJ	AK +.005	BB MIN
IN	36.75	18.75	1.31	3.00	16.25	12.13	3.38	32.25	4.500	14.750	13.500	.25
MM	933	476	33		413	308	86	819	114.30	374.65	342.90	6

UNITS	BD MAX	BE	BF	BV	ES MIN	EW +.002	EX -.005	XR
IN	16.50	1.00	.69	13.00	3.00	.375	.750	.03
MM	419	25	18	330	76	9.53	19.05	1

FRAME	UNITS	U -.001	EU -.005	SQ KEY
364, 365VP	IN	1.625	1.250	.375
	MM	41.28	31.75	9.53
364, 365VPZ	IN	2.125	1.750	.500
	MM	53.98	44.45	12.70

1. ALL ROUGH DIMENSIONS MAY VARY BY .25" DUE TO CASTING AND/OR FABRICATION VARIATIONS.
2. LARGEST MOTOR WIDTH.
3. CONDUIT OPENINGS MAY BE LOCATED IN STEPS OF 90 DEGREES REGARDLESS OF LOCATION. STANDARD AS SHOWN WITH CONDUIT OPENING DOWN.
4. TOLERANCES SHOWN ARE IN INCHES ONLY.

TOLERANCES	
FACE RUNOUT	.007 T.I.R.
PERMISSIBLE ECCENTRICITY OF MOUNTING RABBET	.007 T.I.R.
PERMISSIBLE SHAFT RUNOUT	.002 T.I.R.

09-2385/B

Nidec Motor Corporation
St. Louis, Missouri

INFORMATION DISCLOSED ON THIS DOCUMENT IS CONSIDERED PROPRIETARY AND SHALL NOT BE REPRODUCED OR DISCLOSED WITHOUT WRITTEN CONSENT OF NIDEC MOTOR CORPORATION



ISSUED BY
M. FLORES
APPROVED BY
J. RANGEL

IHP_DP_NMCA (MAR-2011) SOLIDEDGE