

EFFECTIVE:
17-MAY-11

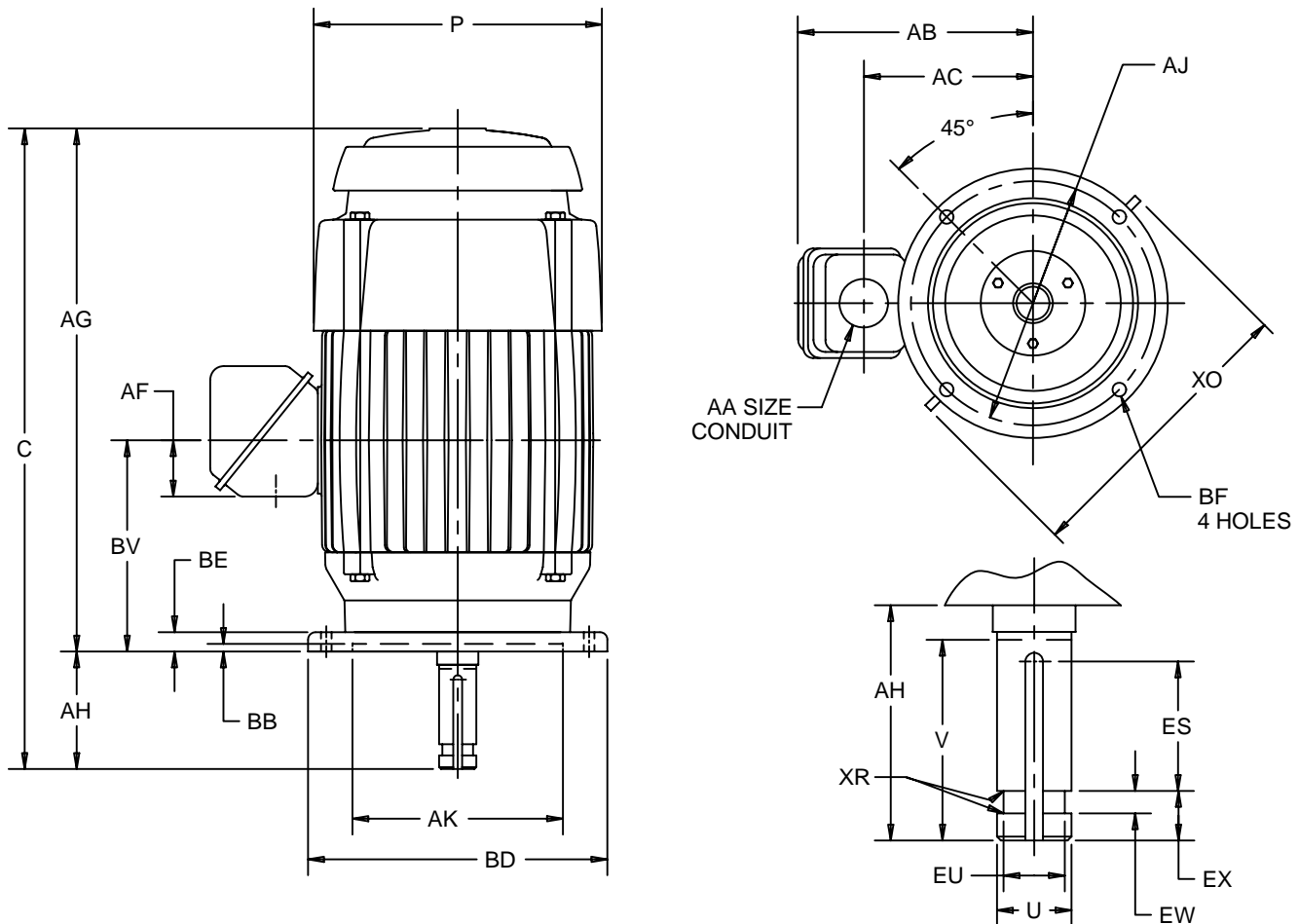
VERTICAL MOTORS

PRINT:
09-2386

SUPERSEDES:
24-JAN-03

TEFC
FRAME: 404, 405VP, VPZ
BASIC TYPE: TV

SHEET:
1 OF 1



ALL DIMENSIONS ARE IN INCHES AND MILLIMETERS

UNITS	C	P ²	V MIN	AA	AB	AC	AF	AG	AH ³ ±.062	AJ
IN	42.44	21.19	4.50	3.00	17.50	13.31	3.38	37.94	4.500	14.750
MM	1078	538	114		445	338	86	964	114.30	374.65

UNITS	AK +.005	BB MIN	BD MAX	BE	BF	BV	ES MIN	EW +.002	EX -.005	XO	XR
IN	13.500	.25	16.50	1.00	.69	15.63	3.03	.375	.750	24.13	.03
MM	342.90	6	406	25	18	397	77	9.53	19.05	613	1

FRAME	UNITS	U -.001	EU -.005	SQ KEY
404,405VP	IN	1.625	1.250	.375
	MM	41.28	31.75	9.53
404,405VPZ	IN	2.125	1.750	.500
	MM	53.98	44.45	12.70

- 1: ALL ROUGH DIMENSIONS MAY VARY BY .25" DUE TO CASTING AND/OR FABRICATION VARIATIONS.
- 2: LARGEST MOTOR WIDTH.
- 3: DIMENSION MEASURED WITH MOTOR IN VERTICAL POSITION, SHAFT DOWN.
- 4: CONDUIT OPENING MAY BE LOCATED IN STEPS OF 90 DEGREES. STANDARD AS SHOWN WITH CONDUIT OPENING DOWN.
- 5: TOLERANCES SHOWN ARE IN INCHES ONLY.

TOLERANCES	
FACE RUNOUT	.004 T.I.R.
PERMISSIBLE ECCENTRICITY OF MOUNTING RABBET	.004 T.I.R.
PERMISSIBLE SHAFT RUNOUT	.002 T.I.R.

09-2386/C

Nidec Motor Corporation
St. Louis, Missouri

INFORMATION DISCLOSED ON THIS DOCUMENT IS CONSIDERED PROPRIETARY AND SHALL NOT BE REPRODUCED OR DISCLOSED WITHOUT WRITTEN CONSENT OF NIDEC MOTOR CORPORATION



ISSUED BY
R. KING
APPROVED BY
K. POTTER

IHP_DP_NMCA (MAR-2011) SOLIDEDGE