

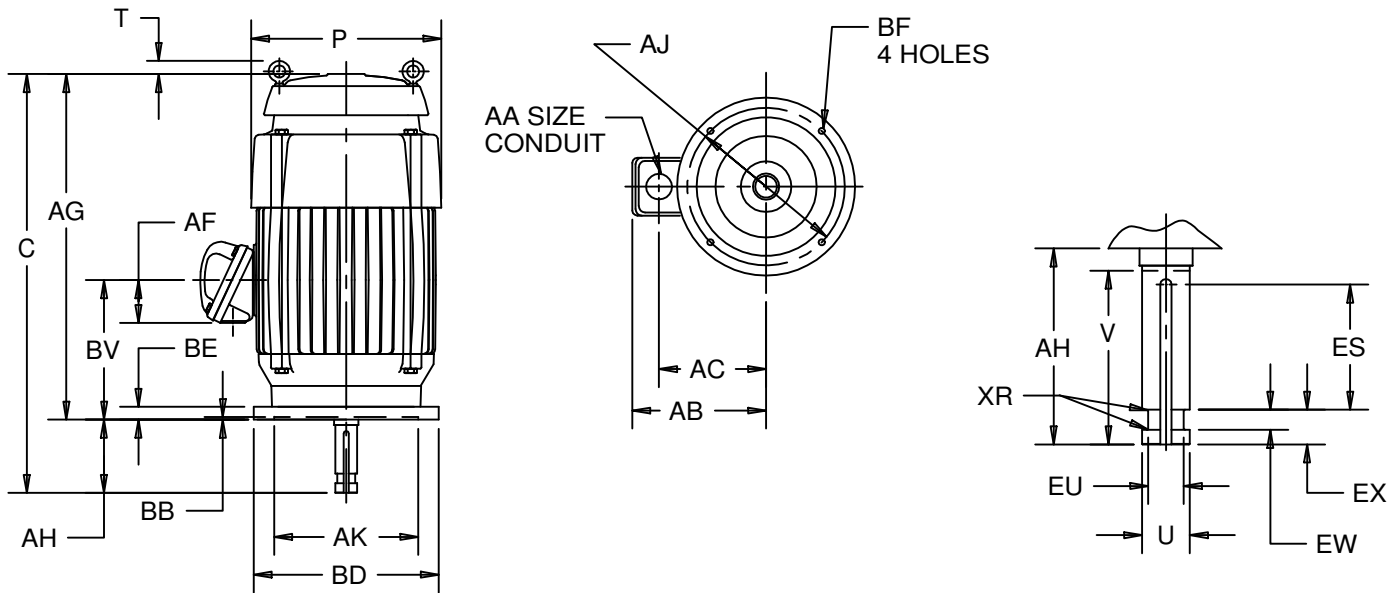
EFFECTIVE:
26-JUL-11

SUPERSEDES:
27-MAR-02

VERTICAL MOTORS
TEFC - CORRODUTY
FRAME: 182, 184VP
BASIC TYPE: TVCI, TVCS

PRINT:
09-2389

SHEET:
1 OF 1



ALL DIMENSION ARE IN INCHES AND MILLIMETERS

UNITS	C	P	T	U -.0005	V MIN	AA	AB	AC	AF	AG	AH ±.062	AJ
IN	23.25	11.06	1.31	1.1250	2.75	1 NPT	9.81	7.25	2.00	20.50	2.750	9.125
MM	591	281	33	28.575	70		249	184	51	521	69.85	231.78

UNITS	AK +.003	BB MIN	BD MAX	BE	BF	BV	ES MIN	EU -.005	EW +.002	EX -.005	XR	SQ KEY
IN	8.250	.19	10.00	.75	.44	8.00	1.25	.875	.375	.750	.03	.250
MM	209.55	5	254	19	11	203	32	22.23	9.53	19.05	1	6.35

- 1: ALL ROUGH DIMENSIONS MAY VARY BY .25" DUE TO CASTING AND/OR FABRICATION VARIATIONS.
- 2: LARGEST MOTOR WIDTH.
- 3: CONDUIT OPENING MAY BE LOCATED IN STEPS OF 90 DEGREES. STANDARD AS SHOWN WITH CONDUIT OPENING DOWN.
- 4: TOLERANCES SHOWN ARE IN INCHES.

TOLERANCES	
FACE RUNOUT	.004 T.I.R.
PERMISSIBLE ECCENTRICITY OF MOUNTING RABBET	.004 T.I.R.
PERMISSIBLE SHAFT RUNOUT	.002 T.I.R.

09-2389/A

Nidec Motor Corporation
St. Louis, Missouri

INFORMATION DISCLOSED ON THIS DOCUMENT IS CONSIDERED PROPRIETARY AND SHALL NOT BE REPRODUCED OR DISCLOSED WITHOUT WRITTEN CONSENT OF NIDEC MOTOR CORPORATION



ISSUED BY
E. WENDT
APPROVED BY
K. POTTER

IHP_DP_NMCA (MAR-2011) SOLIDEDGE