

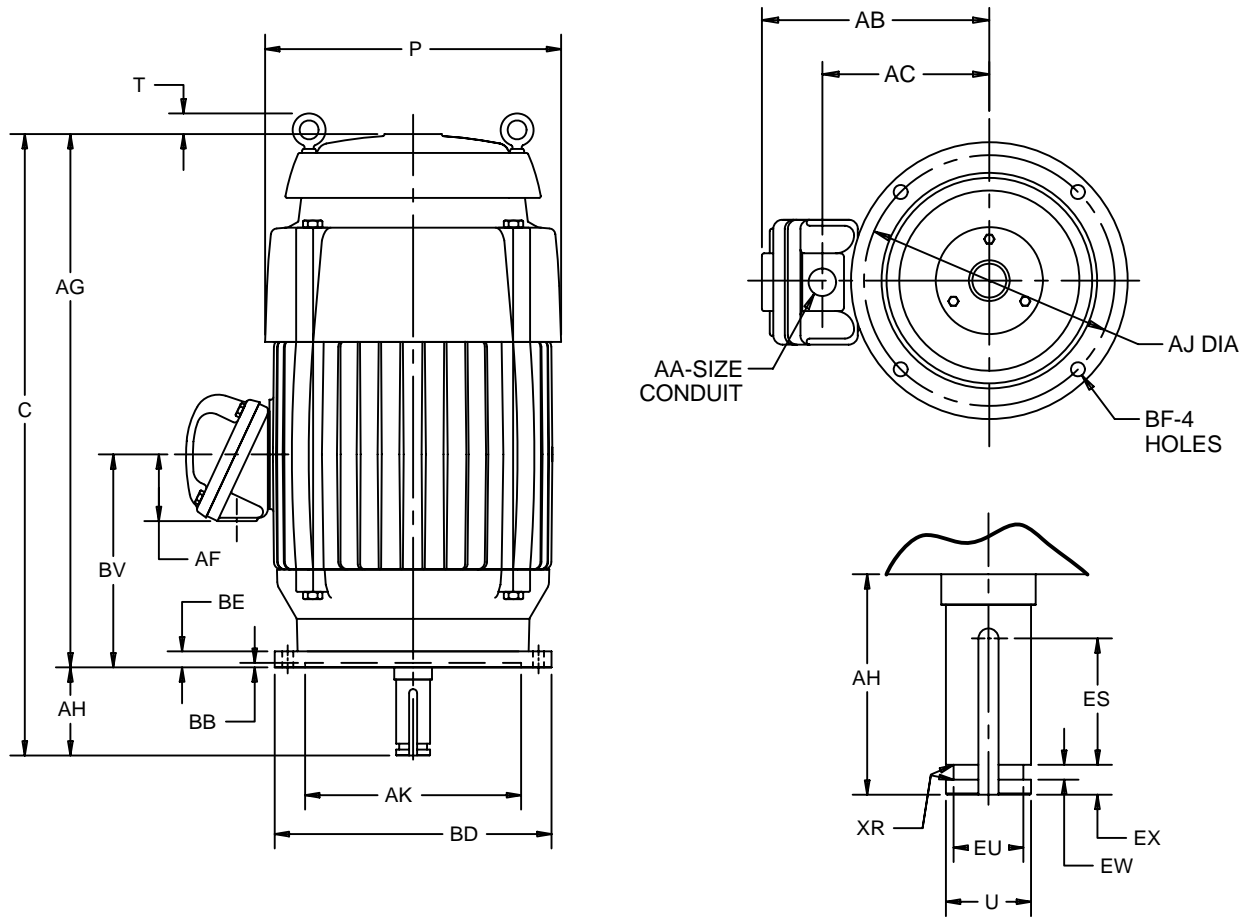
EFFECTIVE:
02-MAR-11

SUPERSEDES:
23-JAN-06

VERTICAL MOTORS
TEFC - CORRODUTY
FRAME: 182, 184, 213, 215VP
BASIC TYPE: TV

PRINT:
09-2390

SHEET:
1 OF 1



ALL DIMENSIONS ARE IN INCHES AND MILLIMETERS

UNITS	C	P ²	T	U -.0005	AA	AB	AC	AF	AG	AH ±.063	AJ	AK +.003
IN	23.25	11.06	1.31	1.1250	1 NPT	9.81	7.25	2.00	20.50	2.750	9.125	8.250
MM	591	281	33	28.575		249	184	51	521	69.85	231.78	209.55

UNITS	BB MIN	BD MAX	BE	BF	BV	ES MIN	EU -.005	EW +.002	EX -.005	XR	SQ KEY
IN	.19	10.00	.75	.44	8.00	1.25	.875	.375	.750	.03	.250
MM	5	254	19	11	203	32	22.23	9.53	19.05	1	6.35

TOLERANCES	
FACE RUNOUT	.004 T.I.R.
PERMISSIBLE ECCENTRICITY OF MOUNTING RABBET	.004 T.I.R.
PERMISSIBLE SHAFT RUNOUT	.002 T.I.R.
FOR SPECIAL SHAFT RUNOUT	.001 T.I.R.

- 1: ALL ROUGH DIMENSIONS MAY VARY BY .25" DUE TO CASTING AND/OR FABRICATION VARIATIONS.
- 2: LARGEST MOTOR WIDTH.
- 3: CONDUIT OPENING MAY BE LOCATED IN STEPS OF 90°. STANDARD AS SHOWN WITH CONDUIT OPENING DOWN.
- 4: TOLERANCES SHOWN ARE IN INCHES ONLY.
- 5: DIMENSIONS APPLY TO 180 FRAME PREMIUM EFFICIENT MOTORS AND ALL 210 FRAME MOTORS.

09-2390/F

Nidec Motor Corporation
St. Louis, Missouri

INFORMATION DISCLOSED ON THIS DOCUMENT IS CONSIDERED PROPRIETARY AND SHALL NOT BE REPRODUCED OR DISCLOSED WITHOUT WRITTEN CONSENT OF NIDEC MOTOR CORPORATION



ISSUED BY
R. KING
APPROVED BY
N. SIFUENTES

IHP_DP_NMCA (MAR-2011) SOLIDEDGE