

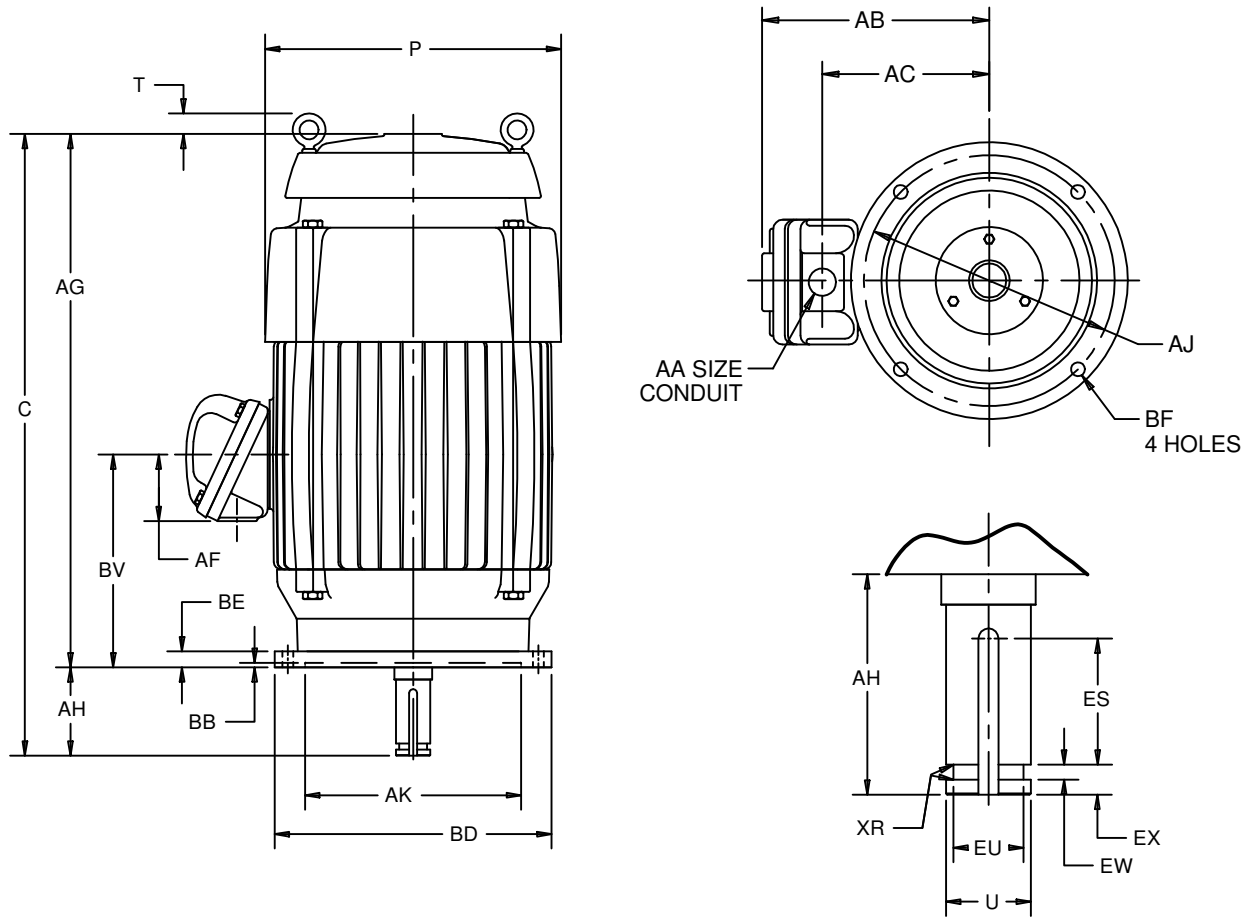
EFFECTIVE:
21-JUL-11

SUPERSEDES:
16-JUN-08

VERTICAL MOTORS
TEFC - CORRODUTY
FRAME: 254, 256VP, VPH
BASIC TYPE: TVC

PRINT:
09-2391

SHEET:
1 OF 1



ALL DIMENSIONS ARE IN INCHES AND MILLIMETERS

UNITS	C	P ²	T	U -.0005	AA	AB	AC	AF	AG	AH ±.06	AJ	AK +.003
IN	27.56	13.19	1.63	1.1250	1 1/2 NPT	11.53	8.53	2.63	24.81	2.750	9.125	8.250
MM	700	335	41	28.575		293	217	67	630	69.85	231.78	209.55

UNITS	BB MIN	BE	BF	BV	ES MIN	EU -.005	EW +.002	EX -.005	XR	SQ KEY
IN	.19	.59	.44	10.00	1.25	.875	.375	.750	.03	.250
MM	5	15	11	254	32	22.23	9.53	19.05	1	6.35

FRAME	UNITS	BD MAX
254, 256VP	IN	10.00
	MM	254
254, 256VPH	IN	12.00
	MM	305

TOLERANCES	
FACE RUNOUT	.004 T.I.R.
PERMISSIBLE ECCENTRICITY OF MOUNTING RABBET	.004 T.I.R.
PERMISSIBLE SHAFT RUNOUT	.002 T.I.R.
FOR SPECIAL SHAFT RUNOUT	.001 T.I.R.
FOR SPECIAL FACE RUNOUT	.001 T.I.R.

- 1: ALL ROUGH DIMENSIONS MAY VARY BY .25" DUE TO CASTING AND/OR FABRICATION VARIATIONS.
- 2: LARGEST MOTOR WIDTH.
- 3: CONDUIT OPENING MAY BE LOCATED IN STEPS OF 90°. STANDARD AS SHOWN WITH CONDUIT OPENING DOWN.
- 4: TOLERANCES SHOWN ARE IN INCHES ONLY.
- 5: DIMENSIONS APPLY TO 180 FRAME PREMIUM EFFICIENT MOTORS AND ALL 210 FRAME MOTORS.

09-2391/D

Nidec Motor Corporation
St. Louis, Missouri

INFORMATION DISCLOSED ON THIS DOCUMENT IS CONSIDERED PROPRIETARY AND SHALL NOT BE REPRODUCED OR DISCLOSED WITHOUT WRITTEN CONSENT OF NIDEC MOTOR CORPORATION



ISSUED BY
E. WENDT
APPROVED BY
K. POTTER

IHP_DP_NMCA (MAR-2011) SOLIDEDGE