

EFFECTIVE:
05-APR-11

SUPERSEDES:
01-FEB-07

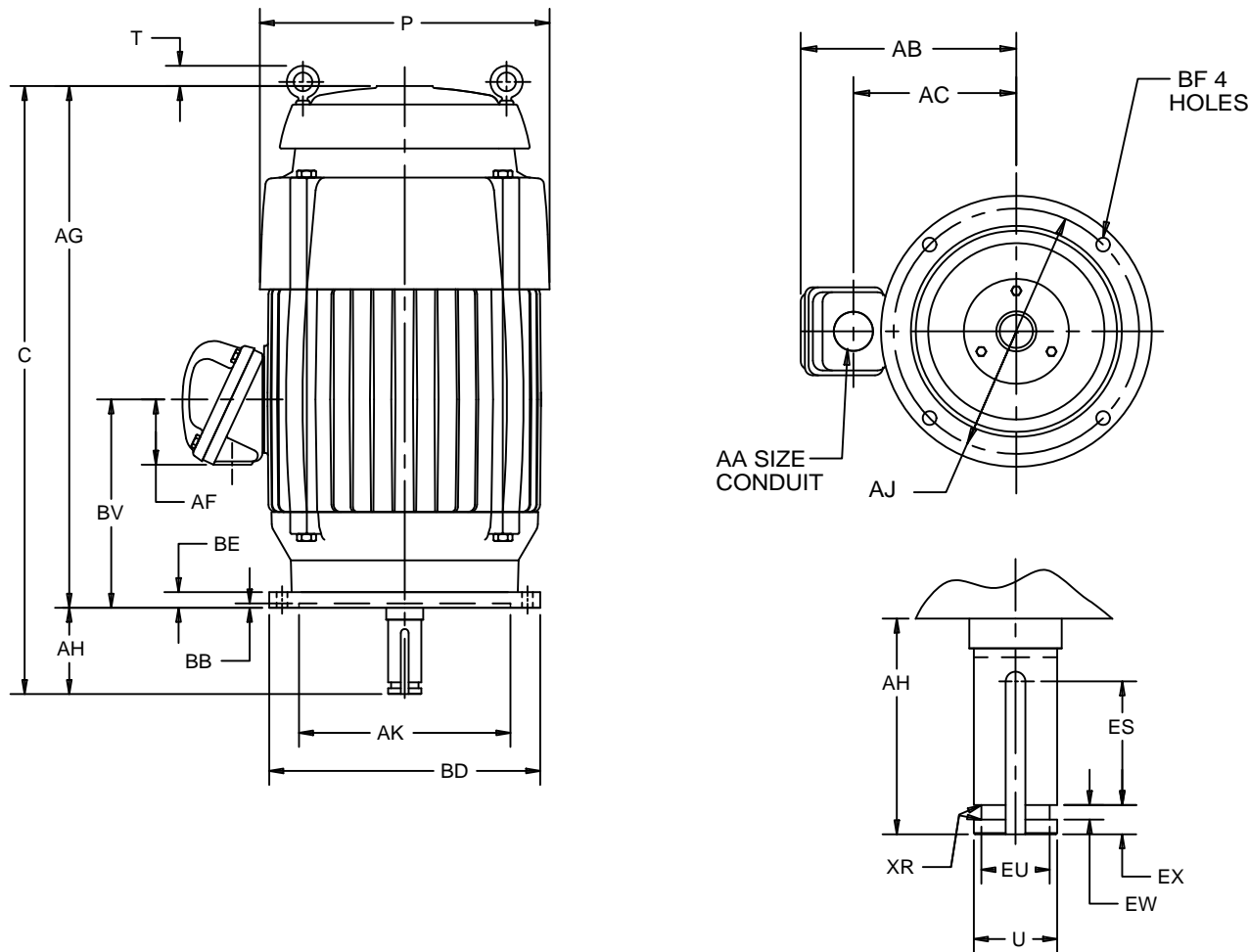
VERTICAL MOTORS

TEFC WITH CAST IRON CONDUIT BOX

FRAME: 364, 365VP, VPZ
BASIC TYPE: TV, TVC

PRINT:
09-2394

SHEET:
1 OF 1



ALL DIMENSIONS ARE IN INCHES AND MILLIMETERS

UNITS	C	P ²	T	AA	AB	AC	AF	AG	AH ±.063	AJ	AK +.005	BB MIN	BD MAX
IN	36.75	18.75	1.31	3 NPT	17.25	12.88	4.63	32.25	4.500	14.750	13.500	.25	16.50
MM	933	476	33		438	327	118	819	114.30	374.65	342.90	6	419

UNITS	BE	BF	BV	ES MIN	EW +.002	EX -.005	XR
IN	1.00	.69	13.00	3.03	.375	.750	.03
MM	25	18	330	77	9.53	19.05	1

FRAME	UNITS	U -.001	EU -.005	SQ KEY
364, 365VP	IN	1.625	1.250	.375
	MM	41.28	31.75	9.53
364, 365VPZ	IN	2.125	1.750	.500
	MM	53.98	44.45	12.70

- 1: ALL ROUGH DIMENSIONS MAY VARY BY .25" DUE TO CASTING AND/OR FABRICATION VARIATIONS.
- 2: LARGEST MOTOR WIDTH.
- 3: CONDUIT OPENING MAY BE LOCATED IN STEPS OF 90°. STANDARD AS SHOWN WITH CONDUIT OPENING DOWN.
- 4: TOLERANCES SHOWN ARE IN INCHES ONLY.
- 5: PERMISSIBLE SHAFT RUNOUT: .002 T.I.R. FOR SPECIALSHAFT RUNOUT: .001 T.I.R. UP TO 1.625" DIAMETER INCLUSIVE. FOR DIAMETERS LARGER THAN 1.625" RUNOUT: .0015 T.I.R.

TOLERANCES	
FACE RUNOUT	.007 T.I.R.
PERMISSIBLE ECCENTRICITY OF MOUNTING RABBET	.007 T.I.R.
PERMISSIBLE SHAFT RUNOUT	SEE NOTE #5

09-2394/B

Nidec Motor Corporation
St. Louis, Missouri

INFORMATION DISCLOSED ON THIS DOCUMENT
IS CONSIDERED PROPRIETARY AND SHALL NOT BE
REPRODUCED OR DISCLOSED WITHOUT WRITTEN
CONSENT OF NIDEC MOTOR CORPORATION



ISSUED BY
L. CUESTA
APPROVED BY
F. LARA

IHP_DP_NMCA (MAR-2011) SOLIDEDGE