

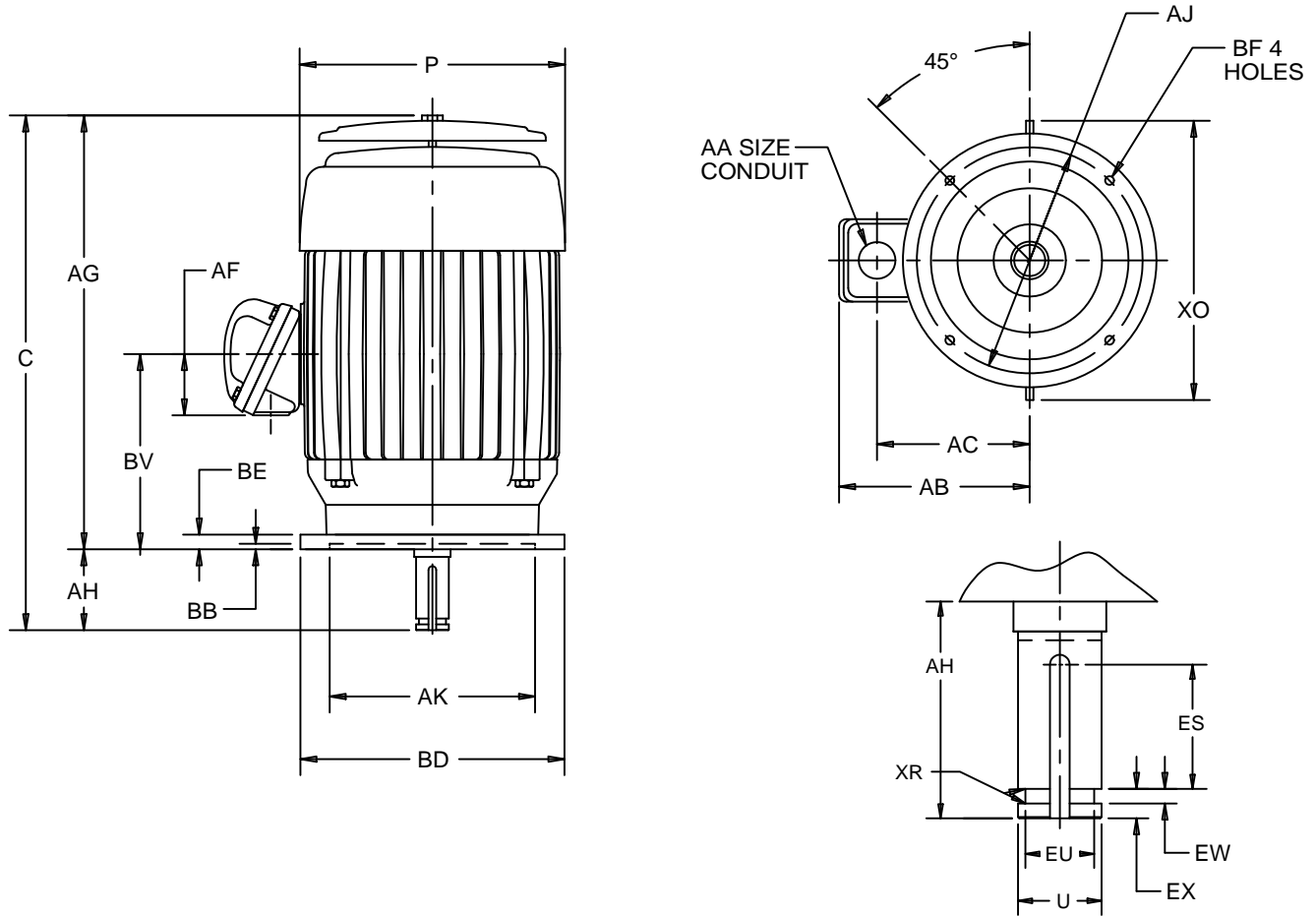
EFFECTIVE:
08-APR-11

VERTICAL MOTORS
EXPLOSION PROOF
FRAME: 182, 184VP
BASIC TYPE: LV, NV

PRINT:
09-2397

SUPERSEDES:
20-JUN-03

SHEET:
1 OF 1



ALL DIMENSIONS ARE IN INCHES AND MILLIMETERS

UNITS	C	P ²	U -.0005	AA	AB	AC	AF	AG	AH ±.062	AJ	AK +.003
IN	19.63	9.50	1.1250	3/4 NPT	7.63	5.81	2.25	16.88	2.750	9.125	8.250
MM	499	241	28.575		194	148	57	429	69.85	231.78	209.55

UNITS	BB MIN	BD MAX	BE	BF	BV	ES MIN	EU -.005	EW +.002	EX -.005	XO	XR	SQ KEY
IN	.19	10.00	.75	.44	7.63	1.28	.875	.375	.750	11.94	.03	.250
MM	5	254	11	11	194	33	22.23	9.53	19.05	303	1	6.35

- ALL ROUGH DIMENSIONS MAY VARY BY .25" DUE TO CASTING AND/OR FABRICATION VARIATIONS.
- LARGEST MOTOR WIDTH.
- CONDUIT OPENINGS MAY BE LOCATED IN STEPS OF 90 DEGREES REGARDLESS OF LOCATION. STANDARD AS SHOWN WITH CONDUIT OPENING DOWN.
- TOLERANCES SHOWN ARE IN INCHES ONLY.

TOLERANCES	
FACE RUNOUT	.004 T.I.R.
PERMISSIBLE ECCENTRICITY OF MOUNTING RABBET	.004 T.I.R.
PERMISSIBLE SHAFT RUNOUT	.002 T.I.R.

09-2397/B

Nidec Motor Corporation
St. Louis, Missouri

INFORMATION DISCLOSED ON THIS DOCUMENT IS CONSIDERED PROPRIETARY AND SHALL NOT BE REPRODUCED OR DISCLOSED WITHOUT WRITTEN CONSENT OF NIDEC MOTOR CORPORATION



ISSUED BY
L. CUESTA
APPROVED BY
M. GALVAN

IHP_DP_NMCA (MAR-2011) SOLIDEDGE