

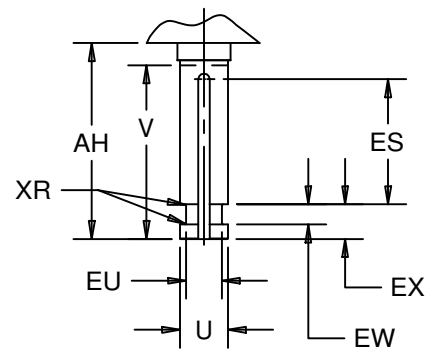
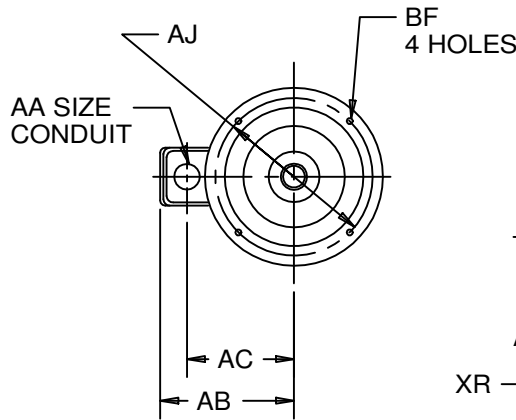
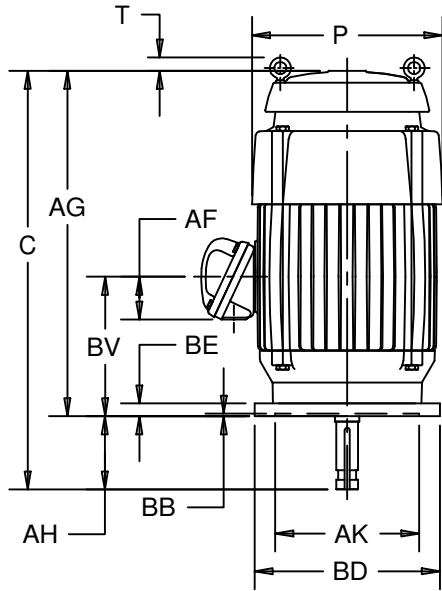
EFFECTIVE:
26-JUL-11

SUPERSEDES:
03-APR-02

VERTICAL MOTORS
EXPLOSION PROOF
FRAME: 182, 184VP
BASIC TYPE: LV, NV

PRINT:
09-2398

SHEET:
1 OF 1



ALL DIMENSION ARE IN INCHES AND MILLIMETERS

UNITS	C	P	T	U	V	AA	AB	AC	AF	AG	AH	AJ
IN	23.25	11.06	1.31	-.0005	2.75	1 NPT	9.19	6.81	2.63	20.50	±.062	9.125
MM	591	281	33	1.1250	70		233	173	69	521	69.85	231.78

UNITS	AK	BB	BD	BE	BF	BV	ES	EU	EW	EX	XR	SQ
IN	+.003	MIN	MAX	.75	.44	8.00	MIN	-.005	+.002	-.005	.03	KEY
MM	209.55	5	254	19	11	203	32	22.23	9.53	19.05	1	6.35

- 1: ALL ROUGH CASTING DIMENSIONS MAY VARY BY .25" DUE TO CASTING AND/OR FABRICATION VARIATIONS.
- 2: LARGEST MOTOR WIDTH.
- 3: CONDUIT OPENING MAY BE LOCATED IN STEPS OF 90 DEGREES. STANDARD AS SHOWN WITH CONDUIT OPENING DOWN.
- 4: TOLERANCES SHOWN ARE IN INCHES.

TOLERANCES	
FACE RUNOUT	.004 T.I.R.
PERMISSIBLE ECCENTRICITY OF MOUNTING RABBIT	.004 T.I.R.
PERMISSIBLE SHAFT RUNOUT	.002 T.I.R.

09-2398/A

Nidec Motor Corporation
St. Louis, Missouri

INFORMATION DISCLOSED ON THIS DOCUMENT IS CONSIDERED PROPRIETARY AND SHALL NOT BE REPRODUCED OR DISCLOSED WITHOUT WRITTEN CONSENT OF NIDEC MOTOR CORPORATION



ISSUED BY
E. WENDT
APPROVED BY
K. POTTER

IHP_DP_NMCA (MAR-2011) SOLIDEDGE