

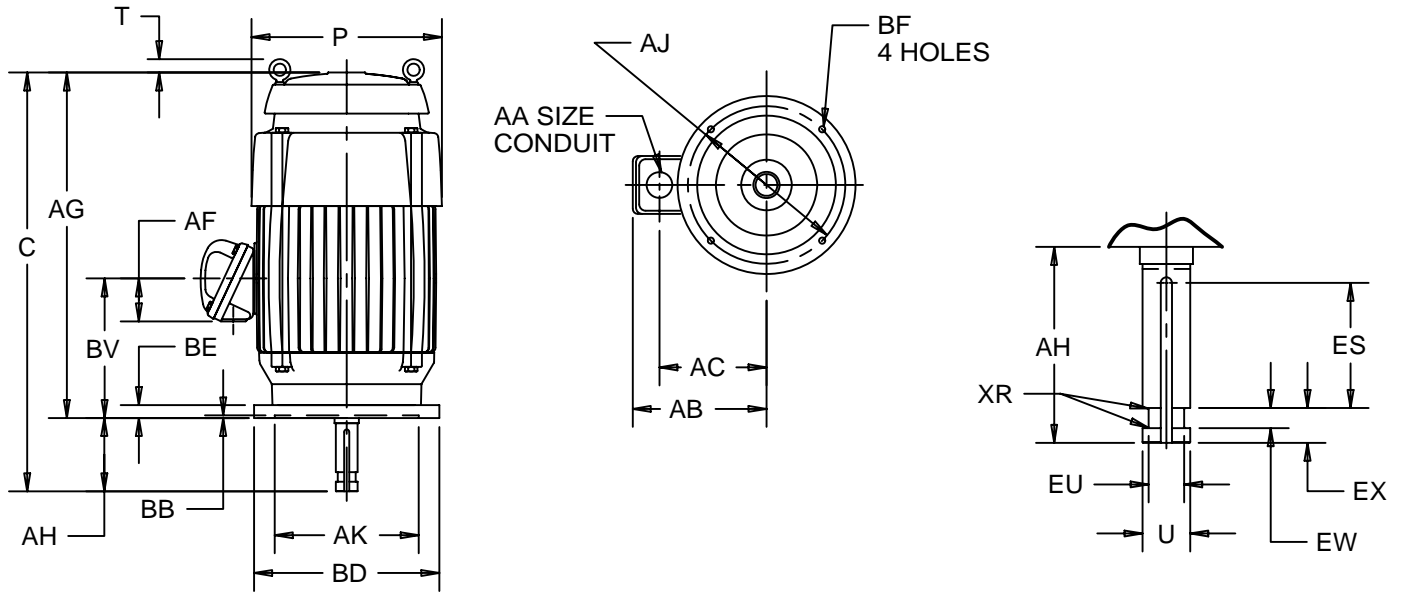
EFFECTIVE:
01-JUL-11

SUPERSEDES:
08-JUN-09

VERTICAL MOTORS
EXPLOSION PROOF
FRAME: 182, 184, 213, 215VP
BASIC TYPE: LV, LVC, NV, NVC

PRINT:
09-2399

SHEET:
1 OF 1



ALL DIMENSIONS ARE IN INCHES AND MILLIMETERS

| UNITS | C | P | T | U | AA | AB | AC | AF | AG | AH | AJ |
|-------|-------|-------|------|--------|-------|------|------|------|-------|-------|--------|
| IN | 23.25 | 11.06 | 1.31 | -.0005 | 1 NPT | 9.19 | 6.81 | 2.63 | 20.50 | 2.750 | 9.125 |
| MM | 591 | 281 | 33 | 1.1250 | | 233 | 173 | 67 | 521 | 69.85 | 231.78 |

| UNITS | AK | BB | BD | BE | BF | BV | ES | EU | EW | EX | XR | SQ |
|-------|-------|-----|-----|-----|-----|------|-----|-------|-------|-------|-----|------|
| IN | +.003 | MIN | MAX | .75 | .44 | 8.00 | MIN | -.005 | +.002 | -.005 | .03 | KEY |
| MM | 210 | 5 | 254 | 19 | 11 | 203 | 32 | 22.23 | 9.53 | 19.05 | 1 | 6.35 |

- 1: ALL ROUGH CASTING DIMENSIONS MAY VARY BY .25" DUE TO CASTING AND/OR FABRICATION VARIATIONS.
- 2: LARGEST MOTOR WIDTH.
- 3: CONDUIT OPENING MAY BE LOCATED IN STEPS OF 90 DEGREES. STANDARD AS SHOWN WITH CONDUIT OPENING DOWN.
- 4: TOLERANCES SHOWN ARE IN INCHES.

| TOLERANCES | |
|---|-------------|
| FACE RUNOUT | .004 T.I.R. |
| PERMISSIBLE ECCENTRICITY OF MOUNTING RABBET | .004 T.I.R. |
| PERMISSIBLE SHAFT RUNOUT | .002 T.I.R. |
| SPECIAL SHAFT RUNOUT | .001 T.I.R. |
| SPECIAL FACE RUNOUT PER API610 | .001 T.I.R. |

09-2399/C

Nidec Motor Corporation
St. Louis, Missouri

INFORMATION DISCLOSED ON THIS DOCUMENT IS CONSIDERED PROPRIETARY AND SHALL NOT BE REPRODUCED OR DISCLOSED WITHOUT WRITTEN CONSENT OF NIDEC MOTOR CORPORATION



ISSUED BY
R. KING
APPROVED BY
K. POTTER

IHP_DP_NMCA (MAR-2011) SOLIDEDGE