

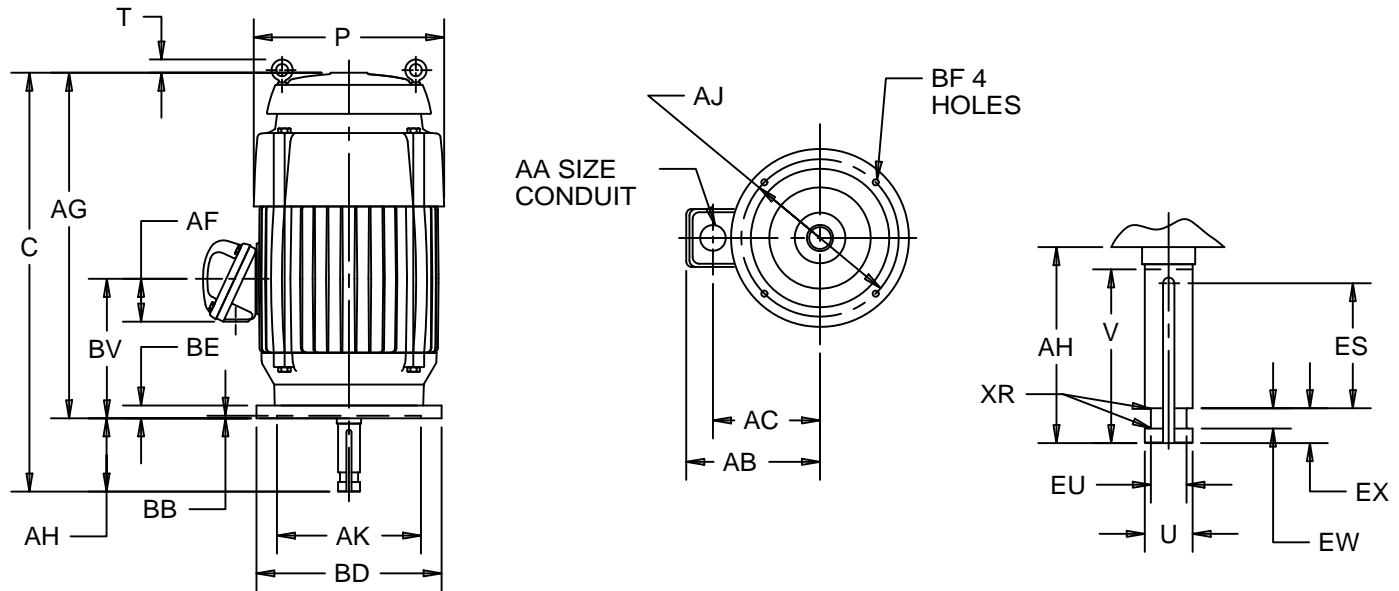
EFFECTIVE:
12-MAY-11

SUPERSEDES:
17-APR-02

VERTICAL MOTORS
EXPLOSION PROOF
FRAME: 364, 365VP, VPZ
BASIC TYPE: LV

PRINT:
09-2403

SHEET:
1 OF 1



ALL DIMENSIONS ARE IN INCHES AND MILLIMETERS

UNITS	C	P	T	V MIN	AA	AB	AC	AF	AG	AH ±.062
IN	36.75	18.75	1.31	4.50	3 NPT	17.56	12.25	4.56	32.25	4.500
MM	933	476	33	114		446	311	116	819	114.30

UNITS	AJ	AK +.005	BB MIN	BD MAX	BE	BF	BV	ES MIN	EW +.002	EX -.005	XR
IN	14.750	13.500	.25	16.50	1.00	.69	13.00	3.03	.375	.750	.03
MM	374.65	342.90	6	419	25	18	330	77	9.53	19.05	1

FRAME	UNITS	U -.001	EU -.005	SQ KEY
364,365VP	IN	1.625	1.250	.375
	MM	41.28	31.75	9.53
364,365VPZ	IN	2.125	1.750	.500
	MM	53.98	44.45	12.70

- 1: ALL ROUGH CASTING DIMENSIONS MAY VARY BY .25" DUE TO CASTING AND OR FABRICATION VARIATIONS.
- 2: LARGEST MOTOR WIDTH.
- 3: CONDUIT OPENING MAY BE LOCATED IN STEPS OF 90--. STANDARD AS SHOWN WITH CONDUIT OPENING DOWN.
- 4: TOLERANCES SHOWN ARE IN INCHES.

TOLERANCES	
FACE RUNOUT	.007 T.I.R.
PERMISSIBLE ECCENTRICITY OF MOUNTING RABBET	.007 T.I.R.
PERMISSIBLE SHAFT RUNOUT	.002 T.I.R.

09-2403/A

Nidec Motor Corporation
St. Louis, Missouri

INFORMATION DISCLOSED ON THIS DOCUMENT IS CONSIDERED PROPRIETARY AND SHALL NOT BE REPRODUCED OR DISCLOSED WITHOUT WRITTEN CONSENT OF NIDEC MOTOR CORPORATION



ISSUED BY
L. CUESTA
APPROVED BY
D. PEREZ

IHP_DP_NMCA (MAR-2011) SOLIDEDGE