

EFFECTIVE:
21-JUL-11

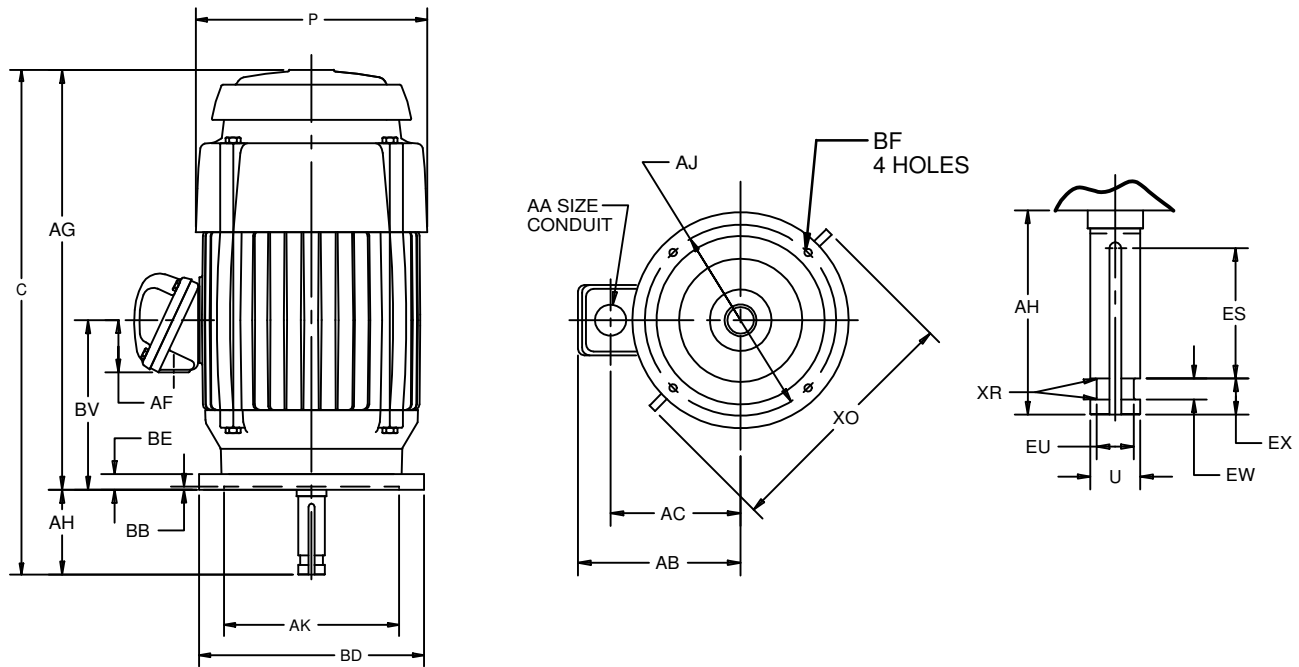
VERTICAL MOTORS
EXPLOSION PROOF

PRINT:
09-2404

SUPERSEDES:
01-FEB-07

FRAME: 404,405VP,VPA,VPZ,VPAZ
BASIC TYPE: LV,LVC,NV,NVC

SHEET:
1 OF 1



ALL DIMENSIONS ARE IN INCHES AND MILLIMETERS

UNITS	C	P ²	AA	AB	AC	AF	AG	AH ±.063	AJ
IN	42.44	21.19	3 NPT	18.81	13.75	4.56	37.94	4.500	14.750
MM	1078	538		478	349	116	964	114.30	374.65

UNITS	AK +.005	BB MIN	BE	BF	BV	ES MIN	EW +.002	EX -.005	XO	XR
IN	13.500	.25	1.00	.69	15.63	3.03	.375	.750	24.13	.03
MM	342.90	6	25	18	397	77	9.53	19.05	613	1

FRAME	UNITS	U -.001	EU -.005	SQ KEY	FRAME	UNITS	BD MAX
404,405VP,VPA	IN	1.625	1.250	.375	404,405VP,VPZ	IN	16.50
	MM	41.28	31.75	9.53		MM	406
404,405VPZ,VPAZ	IN	2.125	1.750	.500	404,405VPA,VPAZ	IN	20.00
	MM	53.98	44.45	12.70		MM	508

TOLERANCES	
FACE RUNOUT	.007 T.I.R.
PERMISSIBLE ECCENTRICITY OF MOUNTING RABBET	.007 T.I.R.
PERMISSIBLE SHAFT RUNOUT	SEE NOTE #5

- 1: ALL ROUGH CASTING DIMENSIONS MAY VARY BY .25" DUE TO CASTING AND/OR FABRICATION VARIATIONS.
- 2: LARGEST MOTOR WIDTH.
- 3: CONDUIT OPENING MAY BE LOCATED IN STEPS OF 90 DEGREES. STANDARD AS SHOWN WITH CONDUIT OPENING DOWN.
- 4: TOLERANCES SHOWN ARE IN INCHES.
- 5: PERMISSIBLE SHAFT RUNOUT: .002 T.I.R.
FOR SPECIAL SHAFT RUNOUT: .001 T.I.R. UP TO 1.625" DIAMETER INCLUSIVE. FOR DIAMETERS LARGER THAN 1.625", .0015 T.I.R.

09-2404/C

Nidec Motor Corporation
St. Louis, Missouri

INFORMATION DISCLOSED ON THIS DOCUMENT IS CONSIDERED PROPRIETARY AND SHALL NOT BE REPRODUCED OR DISCLOSED WITHOUT WRITTEN CONSENT OF NIDEC MOTOR CORPORATION



ISSUED BY
E. WENDT
APPROVED BY
K. POTTER

IHP_DP_NMCA (MAR-2011) SOLIDEDGE