

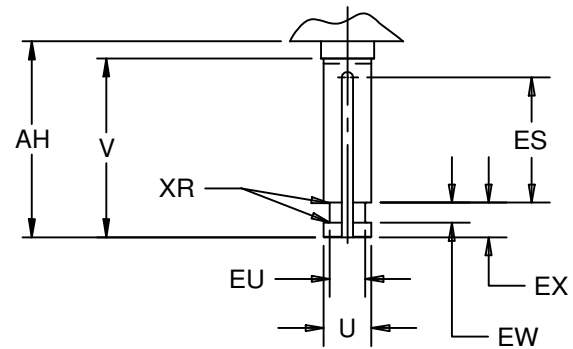
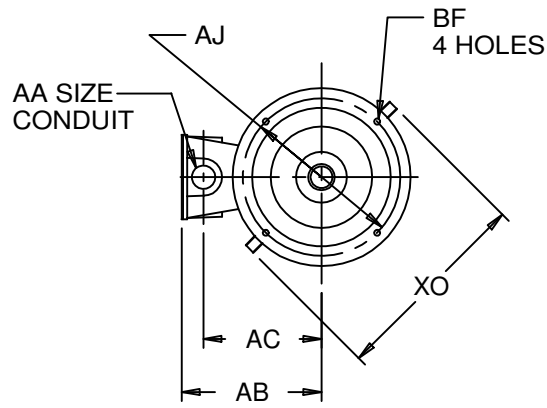
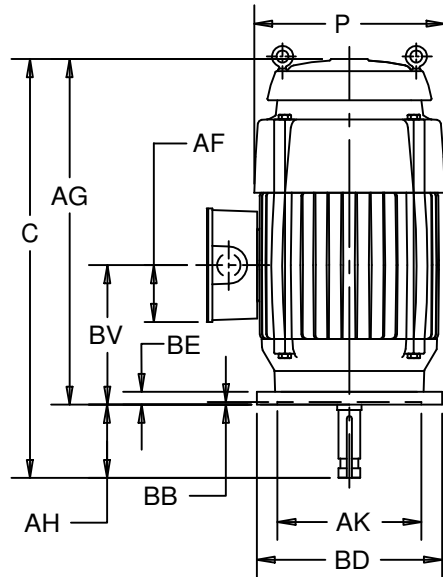
EFFECTIVE:
02-AUG-11

VERTICAL MOTORS
TEFC - HIGH THRUST
FRAME: 182, 184VP
BASIC TYPE: TVI4, TVS4

PRINT:
09-2406

SUPERSEDES:
17-APR-02

SHEET:
1 OF 1



ALL DIMENSIONS ARE IN INCHES AND MILLIMETERS

UNITS	C	P ²	U -.0005	V MIN	AA	AB	AC	AF	AG	AH ±.062	AJ	AK +.003
IN	22.19	11.13	1.1250	2.75	1.00	7.30	6.14	3.19	19.44	2.750	9.125	8.250
MM	564	283	28.575	70		185	156	81	494	69.85	231.78	209.55

UNITS	BB MIN	BD MAX	BE	BF	BV	ES MIN	EU -.005	EW +.002	EX -.005	XO	XR	SQ KEY
IN	.19	10.00	.75	.44	8.00	1.25	.875	.375	.750	13.50	.03	.250
MM	5	25	19	11	203	32	22.22	9.53	19.05	343	1	6.35

- 1: ALL ROUGH CASTING DIMENSIONS MAY VARY BY .25" DUE TO CASTING AND/OR FABRICATION VARIATIONS.
- 2: LARGEST MOTOR WIDTH.
- 3: CONDUIT OPENING MAY BE LOCATED IN STEPS OF 90°. STANDARD AS SHOWN WITH CONDUIT OPENING DOWN.
- 4: TOLERANCES SHOWN ARE IN INCHES.

TOLERANCES	
FACE RUNOUT	.004 T.I.R.
PERMISSIBLE ECCENTRICITY OF MOUNTING RABBET	.004 T.I.R.
PERMISSIBLE SHAFT RUNOUT	.002 T.I.R.

09-2406/A

Nidec Motor Corporation
St. Louis, Missouri

INFORMATION DISCLOSED ON THIS DOCUMENT IS CONSIDERED PROPRIETARY AND SHALL NOT BE REPRODUCED OR DISCLOSED WITHOUT WRITTEN CONSENT OF NIDEC MOTOR CORPORATION



ISSUED BY
E. WENDT
APPROVED BY
K. POTTER

IHP_DP_NMCA (MAR-2011) SOLIDEDGE