

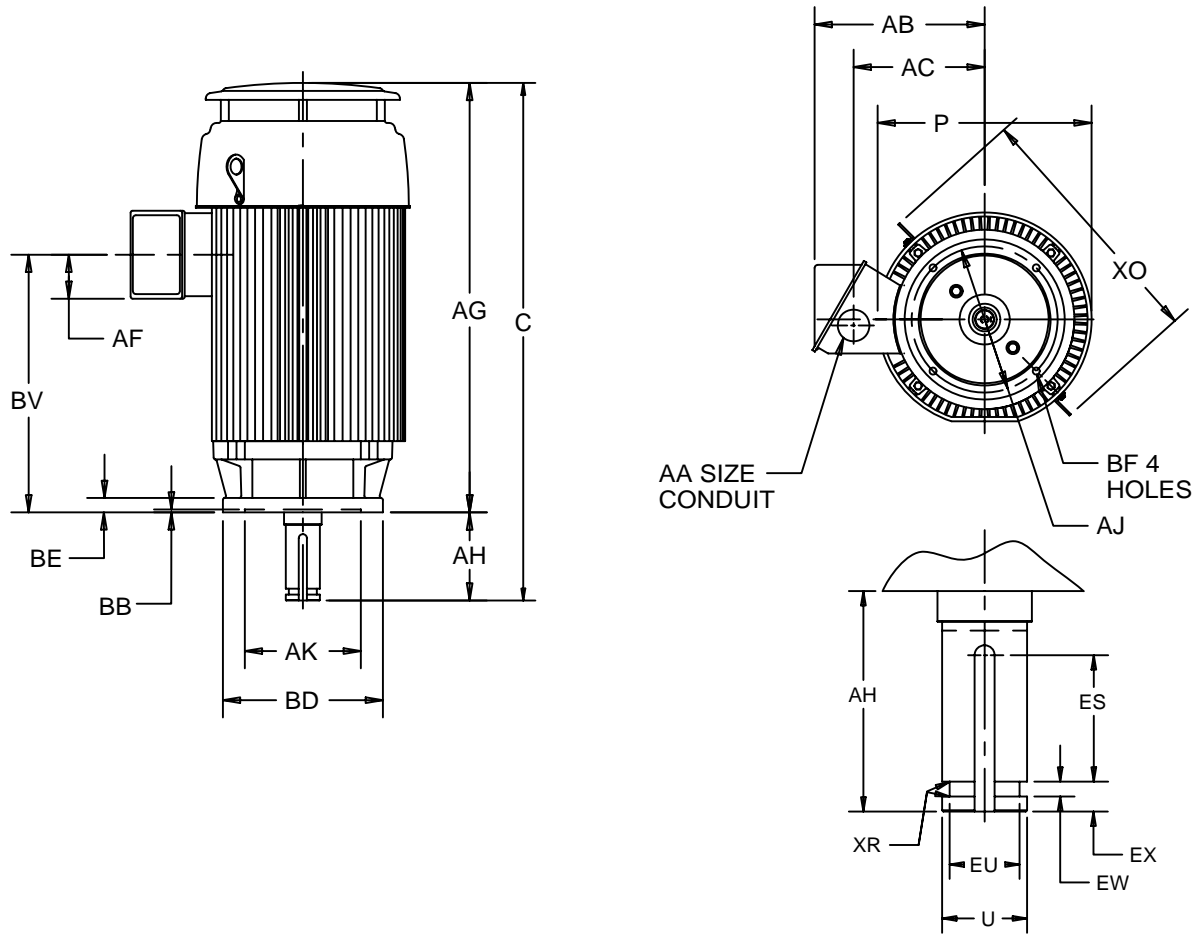
EFFECTIVE:
08-APR-11

VERTICAL MOTORS
TEFC - HIGH THRUST
FRAME: 254, 256VP, VPH
TYPE: TV4

PRINT:
09-2408

SUPERSEDES:
NEW

SHEET:
1 OF 1



ALL DIMENSIONS ARE IN INCHES AND MILLIMETERS

UNITS	C	P ²	U -.0005	AA	AB	AC	AF	AG	AH ±.063	AJ	AK +.003
IN	27.38	13.38	1.1250	1.25	10.25	7.88	2.03	24.63	2.750	9.125	8.250
MM	696	340	28.575		260	200	52	626	69.85	231.78	209.55

UNITS	BB MIN	BE	BF	BV	ES MIN	EU -.005	EW +.002	EX -.005	XO	XR	SQ KEY
IN	.19	1.00	.44	13.81	1.25	.875	.375	.750	16.00	.03	.250
MM	5	25	11	351	32	22.23	9.53	19.05	406	1	6.35

FRAME	UNITS	BD MAX
250VP	IN	10.00
	MM	254
250VPH	IN	12.00
	MM	305

TOLERANCES	
FACE RUNOUT	.004 T.I.R.
PERMISSIBLE ECCENTRICITY OF MOUNTING RABBET	.004 T.I.R.
PERMISSIBLE SHAFT RUNOUT	.002 T.I.R.

- 1: ALL ROUGH DIMENSIONS MAY VARY BY .25" DUE TO CASTING AND/OR FABRICATION VARIATIONS.
- 2: LARGEST MOTOR WIDTH.
- 3: CONDUIT OPENING MAY BE LOCATED IN STEPS OF 180°. STANDARD AS SHOWN WITH CONDUIT OPENING DOWN.
- 4: TOLERANCES SHOWN ARE IN INCHES ONLY.
- 5: FRAME REFERENCE: 12.500/254/256

09-2408

Nidec Motor Corporation
St. Louis, Missouri

INFORMATION DISCLOSED ON THIS DOCUMENT IS CONSIDERED PROPRIETARY AND SHALL NOT BE REPRODUCED OR DISCLOSED WITHOUT WRITTEN CONSENT OF NIDEC MOTOR CORPORATION



ISSUED BY
D. AGUILAR
APPROVED BY
L. MORALES

IHP_DP_NMCA (MAR-2011) SOLIDEDGE