

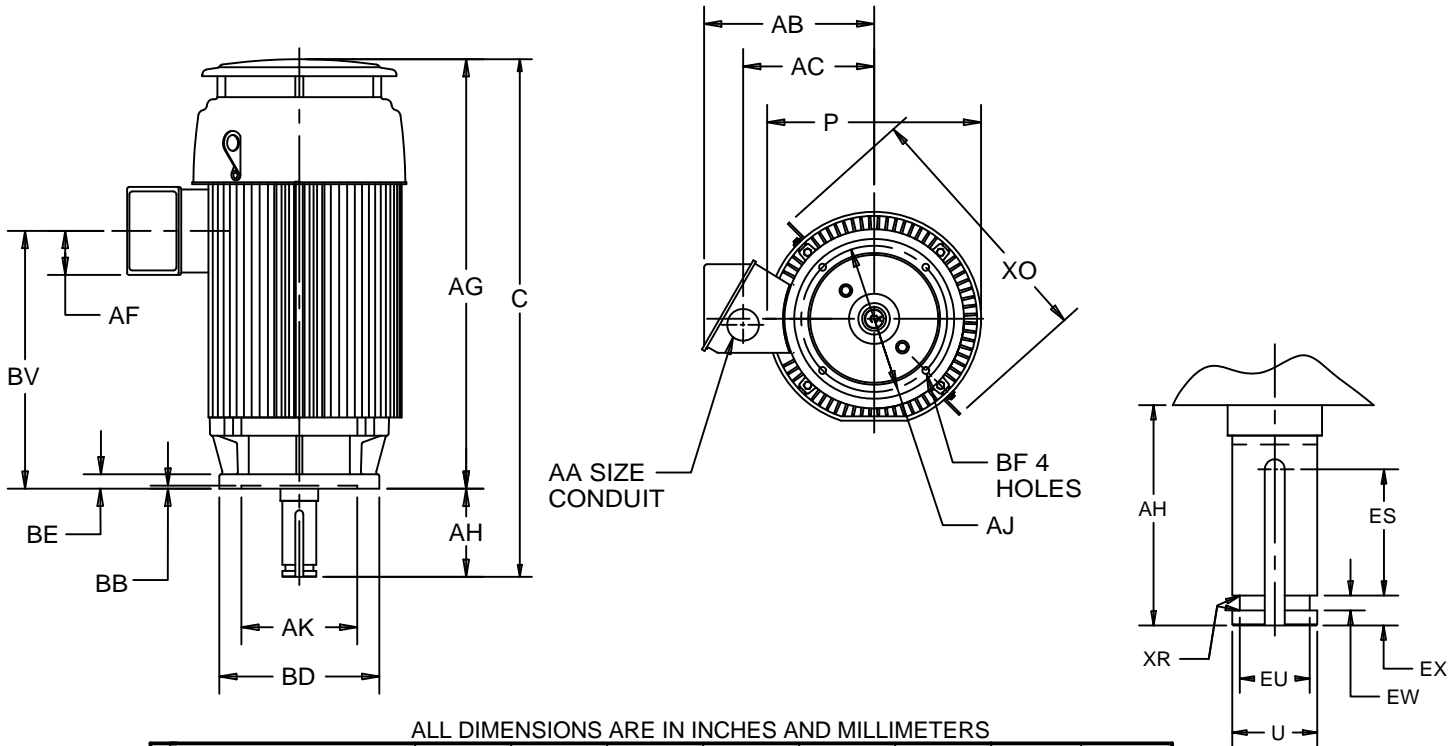
EFFECTIVE:
12-APR-11

SUPERSEDES:
29-APR-02

VERTICAL MOTORS
TEFC - HIGH THRUST
FRAME: 284VP THRU 286VPZH
BASIC TYPE: TV4

PRINT:
09-2409

SHEET:
1 OF 1



ALL DIMENSIONS ARE IN INCHES AND MILLIMETERS

FRAME	UNITS	C	P ²	AA	AB	AC	AF	AG
284, 286VP, VPA, VPH	IN	30.88	13.38	1.50	11.07	8.31	2.59	28.13
	MM	784	340		281	211	66	715
284, 286VPZ, VPAZ, VPHZ	IN	32.63	13.38	1.50	11.07	8.31	2.59	28.13
	MM	829	340		281	211	66	715

FRAME	UNITS	BE	BV	EW +.002	EX -.005	XO	XR
284, 286VP, VPA, VPH	IN	1.00	16.19	.375	.750	15.88	.03
	MM	25	411	9.53	19.05	403	1
284, 286VPZ, VPAZ, VPHZ	IN	1.00	16.19	.375	.750	15.88	.03
	MM	25	411	9.53	19.05	403	1

FRAME	UNITS	U -.0005	AH ±.062	AJ	AK	BB MIN	BD MAX	BF	ES MIN	EU -.005	SQ KEY
284, 286VP	IN	1.1250	2.750	9.125	8.250	.19	10.00	.44	1.31	.875	.250
	MM	28.575	69.85	231.78	209.55	5	254	11	33	22.23	6.35
284, 286VPA	IN	1.1250	2.750	9.125	8.250	.19	12.00	.44	1.31	.875	.250
	MM	28.575	69.85	231.78	209.55	5	305	11	33	22.23	6.35
284, 286VPH	IN	1.1250	2.750	14.750	13.500	.25	16.50	.69	1.31	.875	.250
	MM	28.575	69.85	374.65	342.90	6	419	18	33	22.23	6.35

FRAME	UNITS	U -.001	AH ±.062	AJ	AK	BB MIN	BD MAX	BF	ES MIN	EU -.005	SQ KEY
284, 286VPZ	IN	1.625	4.500	9.125	8.250	.19	10.00	.44	3.06	1.250	.375
	MM	41.28	114.30	231.78	209.55	5	254	11	78	31.75	9.53
284, 286VPAZ	IN	1.625	4.500	9.125	8.250	.19	12.00	.44	3.06	1.250	.375
	MM	41.28	114.30	231.78	209.55	5	305	11	78	31.75	9.53
284, 286VPHZ	IN	1.625	4.500	14.750	13.500	.25	16.50	.69	3.06	1.250	.375
	MM	41.28	114.30	374.65	342.90	6	419	18	78	31.75	9.53

- 1: ALL ROUGH DIMENSIONS MAY VARY BY .25" DUE TO CASTING AND/OR FABRICATION VARIATIONS.
- 2: LARGEST MOTOR WIDTH.
- 3: CONDUIT OPENING MAY BE LOCATED IN STEPS OF 180°. STANDARD AS SHOWN WITH CONDUIT OPENING DOWN.
- 4: TOLERANCES SHOWN ARE IN INCHES ONLY.
- 5: FRAME REFERENCE: 14.750"/284/286

TOLERANCES	8.250 AK	13.500 AK
FACE RUNOUT	.004 T.I.R.	.004 T.I.R.
PERMISSIBLE ECCENTRICITY OF MOUNTING RABBET	.004 T.I.R.	.004 T.I.R.
PERMISSIBLE SHAFT RUNOUT	.002 T.I.R.	.002 T.I.R.
"AK" DIMENSION	+0.00; -.003	+0.00; -.005

09-2409/A

Nidec Motor Corporation
St. Louis, Missouri

INFORMATION DISCLOSED ON THIS DOCUMENT IS CONSIDERED PROPRIETARY AND SHALL NOT BE REPRODUCED OR DISCLOSED WITHOUT WRITTEN CONSENT OF NIDEC MOTOR CORPORATION



ISSUED BY
L. CUESTA
APPROVED BY
L. MORALES

IHP_DP_NMCA (MAR-2011) SOLIDEDGE