

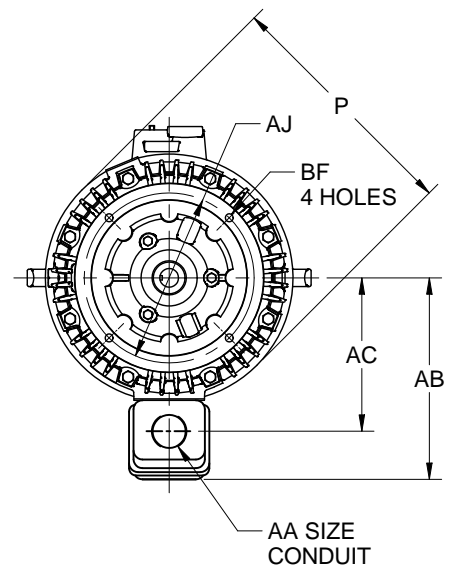
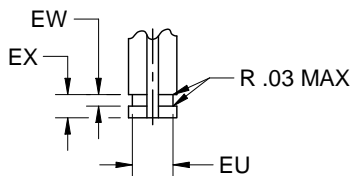
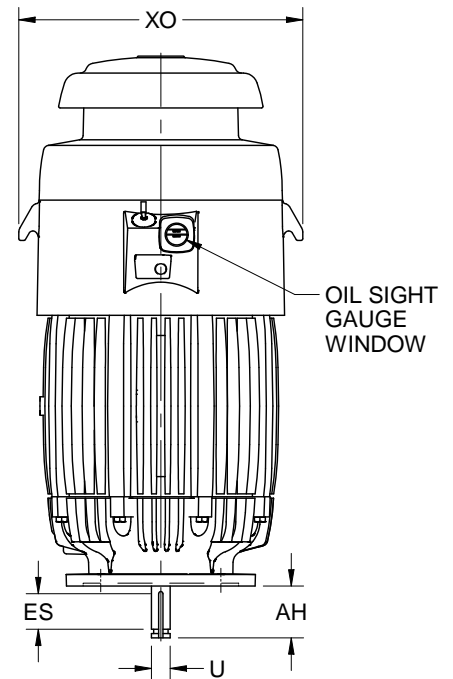
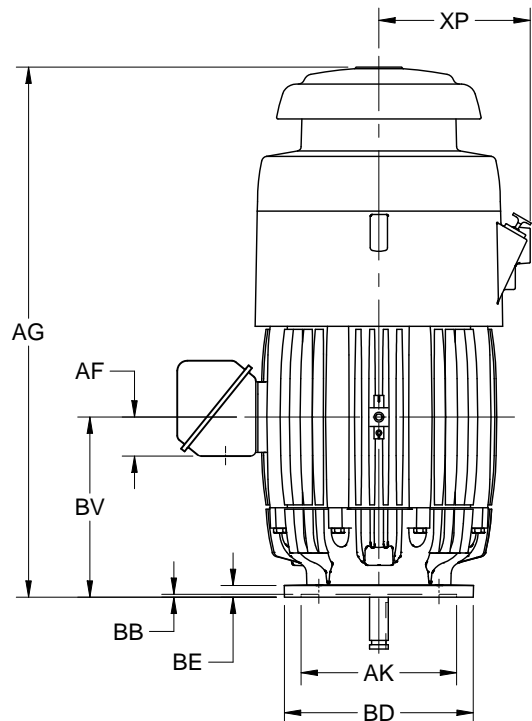
EFFECTIVE:
29-AUG-13

SUPERSEDES:
07-APR-11

DIMENSION PRINT
TEFC - HIGH THRUST
FRAME: 400VP, VPA, VPZ, VPAZ
BASIC TYPE: TV4

PRINT:
09-2412

SHEET:
1 OF 1



ALL DIMENSIONS ARE IN INCHES AND MILLIMETERS

UNITS	P ²	AA	AB	AC	AF	AG	AH ±.063
IN	21.50	3.00	17.50	13.31	3.38	46.00	4.500
MM	546		445	338	86	1168	114.30

UNITS	AJ	AK +.005	BB MIN	BE	BF	BV	DM
IN	14.750	13.500	.25	1.00	.69	15.63	3/4 NPT
MM	374.65	342.90	6	25	18	397	1 NPT
							1 1/2 NPT

UNITS	ES MIN	EW +.002	EX -.005	XO	XP
IN	3.03	.375	.750	24.66	13.13
MM	77	9.53	19.05	626	334

FRAME	UNITS	U -.001	EU -.005	SQ KEY	FRAME	UNITS	BD MAX
404, 405 VP, VPA	IN	1.625	1.250	.375	404, 405 VP, VPZ	IN	16.50
	MM	41.28	31.75	9.53		MM	419
404, 405 VPZ, VPAZ	IN	2.125	1.750	.500	404, 405 VPA, VPAZ	IN	20.00
	MM	53.98	44.45	12.70		MM	508

1. DIMENSIONS MAY VARY ±.25° DUE TO CASTING AND/OR FABRICATION VARIATIONS.
2. LARGEST MOTOR WIDTH.
3. TOLERANCES ARE IN INCHES.
4. CONDUIT BOX MAY BE ROTATED IN STEPS OF 90 DEGREES. STANDARD AS SHOWN WITH CONDUIT OPENING DOWN.

TOLERANCES	
FACE RUNOUT	.007 T.I.R.
PERMISSIBLE ECCENTRICITY OF MOUNTING RABBET	.007 T.I.R.
PERMISSIBLE SHAFT RUNOUT	.002 T.I.R.
MAXIMUM SHAFT ENDPLAY	.010

09-2412/D

Nidec Motor Corporation
St. Louis, Missouri

INFORMATION DISCLOSED ON THIS DOCUMENT IS CONSIDERED PROPRIETARY AND SHALL NOT BE REPRODUCED OR DISCLOSED WITHOUT WRITTEN CONSENT OF NIDEC MOTOR CORPORATION



ISSUED BY
R. KING
APPROVED BY
J. O'BRIEN

IHP_DP_NMCA (MAR-2011) SOLIDEDGE