

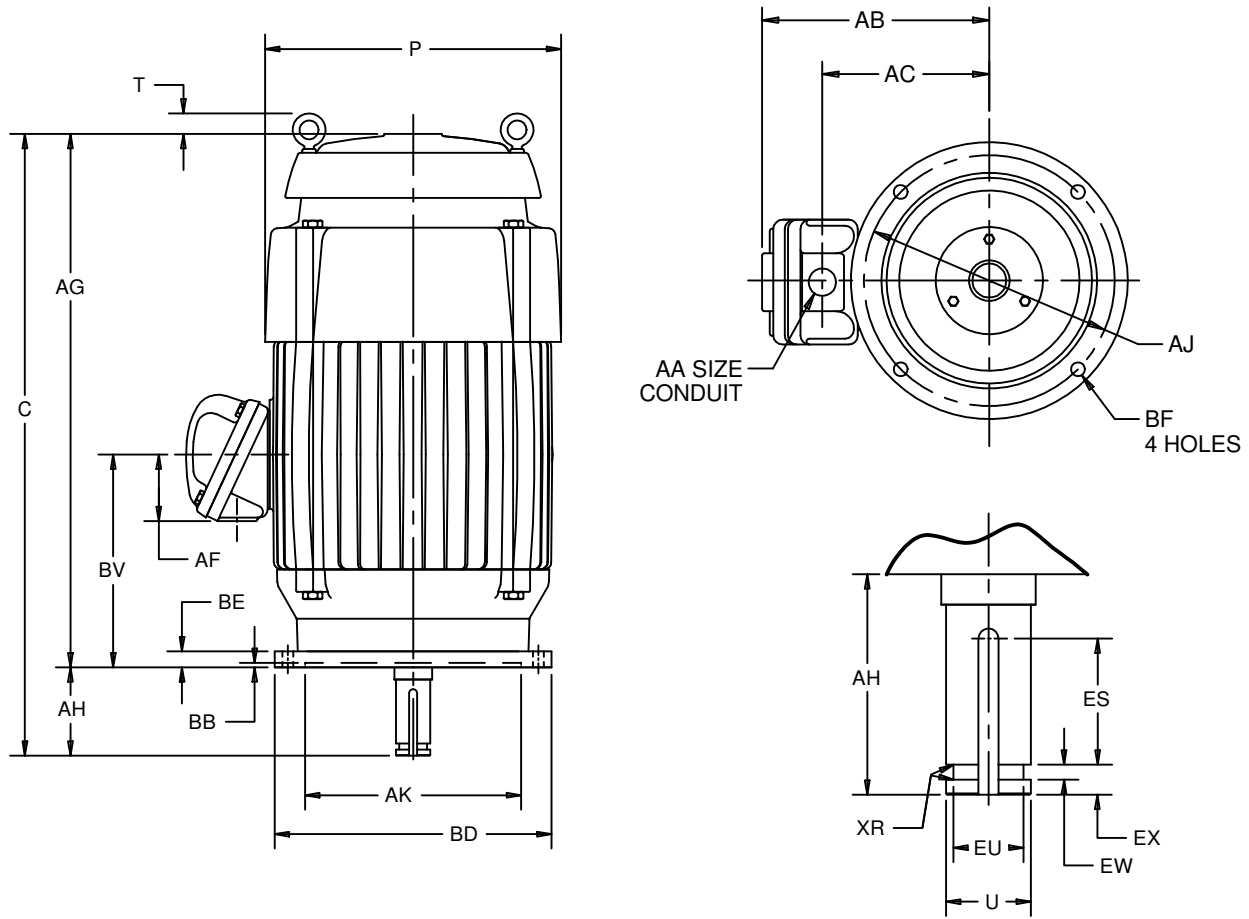
EFFECTIVE:
22-JUL-11

SUPERSEDES:
01-FEB-07

VERTICAL MOTORS
EXPLOSION PROOF - HIGH THRUST
FRAME: 182, 184, 213, 215VP
BASIC TYPE: LV4, LVC4, NV4, NVC4

PRINT:
09-2423

SHEET:
1 OF 1



ALL DIMENSIONS ARE IN INCHES AND MILLIMETERS

| UNITS | C | P ² | T | U -.0005 | AA | AB | AC | AF | AG | AH ±.063 | AJ | AK +.003 |
|-------|-------|----------------|------|-------------|-------|------|------|------|-------|-------------|--------|-------------|
| IN | 23.25 | 11.06 | 1.31 | 1.1250 | 1 NPT | 9.19 | 6.81 | 2.63 | 20.50 | 2.750 | 9.125 | 8.250 |
| MM | 591 | 281 | 33 | 28.575 | | 233 | 173 | 67 | 521 | 69.85 | 231.78 | 209.55 |

| UNITS | BB MIN | BD MAX | BE | BF | BV | ES MIN | EU -.005 | EW +.002 | EX -.005 | XR | SQ KEY |
|-------|-----------|-----------|-----|-----|------|-----------|-------------|-------------|-------------|-----|-----------|
| IN | .19 | 10.00 | .75 | .44 | 8.00 | 1.25 | .875 | .375 | .750 | .03 | .250 |
| MM | 5 | 254 | 19 | 11 | 203 | 32 | 22.23 | 9.53 | 19.05 | 1 | 6.35 |

| TOLERANCES | |
|---|-------------|
| FACE RUNOUT | .004 T.I.R. |
| PERMISSIBLE ECCENTRICITY OF MOUNTING RABBET | .004 T.I.R. |
| PERMISSIBLE SHAFT RUNOUT | .002 T.I.R. |
| FOR SPECIAL SHAFT RUNOUT | .001 T.I.R. |

- 1: ALL ROUGH DIMENSIONS MAY VARY BY .25" DUE TO CASTING AND/OR FABRICATION VARIATIONS.
- 2: LARGEST MOTOR WIDTH.
- 3: CONDUIT OPENING MAY BE LOCATED IN STEPS OF 90°. STANDARD AS SHOWN WITH CONDUIT OPENING DOWN.
- 4: TOLERANCES SHOWN ARE IN INCHES ONLY.
- 5: DIMENSIONS APPLY TO 180 FRAME PREMIUM EFFICIENT MOTORS AND ALL 210 FRAME MOTORS.

09-2423/C

Nidec Motor Corporation
St. Louis, Missouri

INFORMATION DISCLOSED ON THIS DOCUMENT IS CONSIDERED PROPRIETARY AND SHALL NOT BE REPRODUCED OR DISCLOSED WITHOUT WRITTEN CONSENT OF NIDEC MOTOR CORPORATION



ISSUED BY
E. WENDT
APPROVED BY
K. POTTER

IHP_DP_NMCA (MAR-2011) SOLIDEDGE