

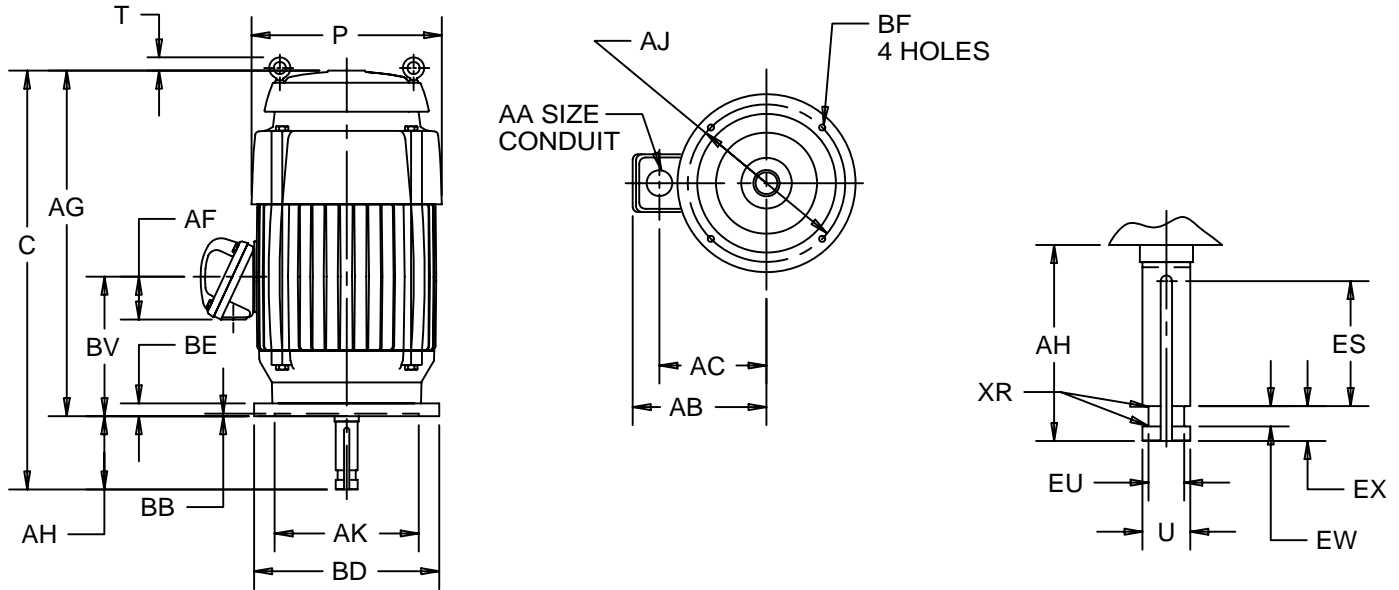
EFFECTIVE:
20-APR-11

SUPERSEDES:
16-MAY-02

VERTICAL MOTORS
EXPLOSIONPROOF - HIGH THRUST
FRAME: 254, 256VP, VPH
BASIC TYPE: LV4, NV4,

PRINT:
09-2424

SHEET:
1 OF 1



ALL DIMENSIONS ARE IN INCHES AND MILLIMETERS

UNITS	C	P	T	U -.0005	AA	AB	AC	AF	AG	AH ±.062	AJ
IN	27.56	13.19	1.63	1.1250	1 1/2 NPT	11.50	8.25	3.13	24.81	2.750	9.125
MM	700	335	41	28.575		292	210	80	630	69.85	231.78

UNITS	AK +.003	BB MIN	BE	BF	BV	ES MIN	EU -.005	EW +.002	EX -.005	XR	SQ KEY
IN	8.250	.19	.59	.44	10.00	1.25	.875	.375	.750	.03	.250
MM	209.55	5	15	11	254	32	22.23	9.53	19.05	1	6.35

FRAME	UNITS	BD MAX
254,256VP	IN	10.00
	MM	254
254,256VPH	IN	12.00
	MM	305

- 1: ALL ROUGH CASTING DIMENSIONS MAY VARY BY .25" DUE TO CASTING AND/OR FABRICATION VARIATIONS.
- 2: LARGEST MOTOR WIDTH.
- 3: CONDUIT OPENING MAY BE LOCATED IN STEPS OF 90 DEGREES. STANDARD AS SHOWN WITH CONDUIT OPENING DOWN.
- 4: TOLERANCES SHOWN ARE IN INCHES.

TOLERANCES	
FACE RUNOUT	.004 T.I.R.
PERMISSIBLE ECCENTRICITY OF MOUNTING RABBET	.004 T.I.R.
PERMISSIBLE SHAFT RUNOUT	.002 T.I.R.

09-2424/A

Nidec Motor Corporation
St. Louis, Missouri

INFORMATION DISCLOSED ON THIS DOCUMENT IS CONSIDERED PROPRIETARY AND SHALL NOT BE REPRODUCED OR DISCLOSED WITHOUT WRITTEN CONSENT OF NIDEC MOTOR CORPORATION



ISSUED BY
R. KING
APPROVED BY
K. POTTER

IHP_DP_NMCA (MAR-2011) SOLIDEDGE