

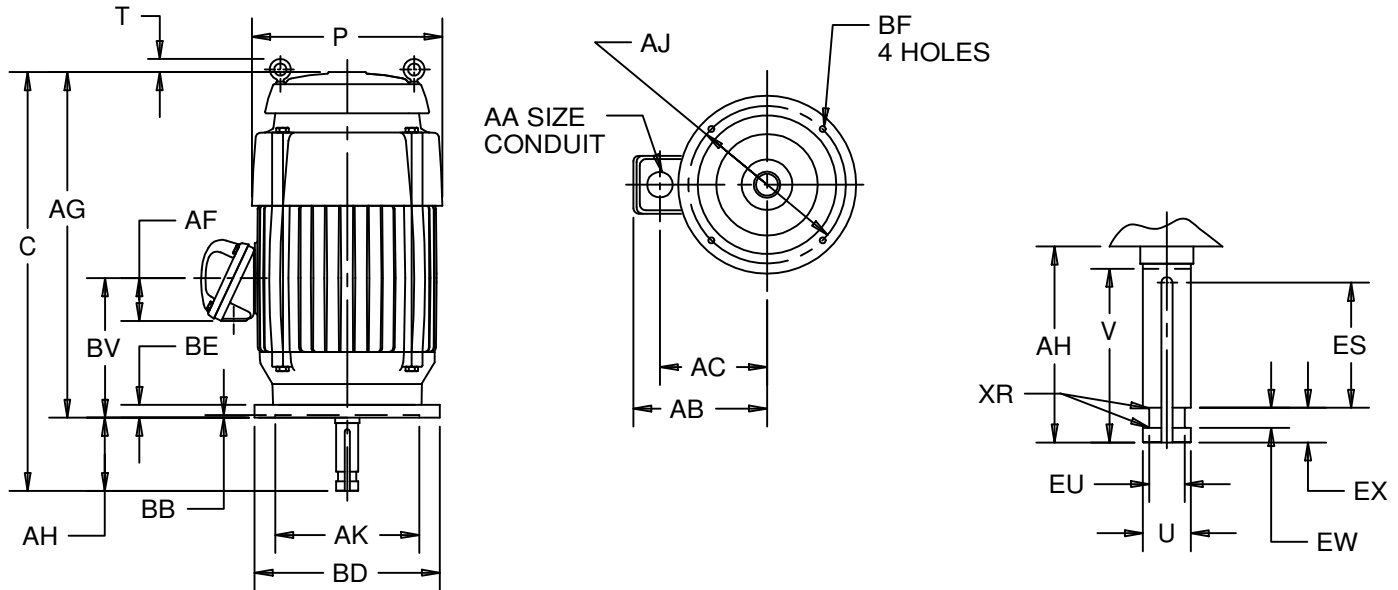
EFFECTIVE:
26-JUL-11

SUPERSEDES:
16-MAY-02

VERTICAL MOTORS
EXPLOSION PROOF - HIGH THRUST
FRAME: 284, 286VP, VPA, VPH, VPZ, VPAZ, VPHZ
BASIC TYPE: LV4, NV4

PRINT:
09-2425

SHEET:
1 OF 1



ALL DIMENSIONS ARE IN INCHES AND MILLIMETERS

UNITS	P	T	AA	AB	AC	AF	AG	BE	BV	EW +.002	EX -.005	XR
IN	14.56	1.50	2 NPT	13.19	9.69	3.88	27.38	.91	11.19	.375	.750	.03
MM	370	38		335	246	99	695	23	284	9.53	19.05	1

FRAME	UNITS	C	U -.0005	V MIN	AH ±.062	AJ	AK	BB MIN	BD MAX	BF	ES MIN	EU -.005	SQ KEY
284,286VP	IN	30.13	1.1250	2.75	2.750	9.125	8.250	.19	10.00	.44	1.28	.875	.250
	MM	765	28.575	70	69.85	231.78	209.55	5	254	11	33	22.23	6.35
284,286VPA	IN	30.13	1.1250	2.75	2.750	9.125	8.250	.19	12.00	.44	1.28	.875	.250
	MM	765	28.575	70	69.85	231.78	209.55	5	305	11	33	22.23	6.35
284,286VPH	IN	30.13	1.1250	2.75	2.750	14.750	13.500	.25	16.00	.69	1.28	.875	.250
	MM	765	28.575	70	69.85	374.65	342.90	6	406	18	33	22.23	6.35

FRAME	UNITS	C	U -.001	V MIN	AH ±.062	AJ	AK	BB MIN	BD MAX	BF	ES MIN	EU -.005	SQ KEY
284,286VPZ	IN	31.88	1.625	4.50	4.500	9.125	8.250	.19	10.00	.44	3.03	1.250	.375
	MM	810	41.28	114	114.30	231.78	209.55	5	254	11	77	31.75	9.53
284,286VPAZ	IN	31.88	1.625	4.50	4.500	9.125	8.250	.19	12.00	.44	3.03	1.250	.375
	MM	810	41.28	114	114.30	231.78	209.55	5	305	11	77	31.75	9.53
284,286VPHZ	IN	31.88	1.625	4.50	4.500	14.750	13.500	.25	16.00	.69	3.03	1.250	.375
	MM	810	41.28	114	114.30	374.65	342.90	6	406	18	77	31.75	9.53

- 1: ALL ROUGH DIMENSIONS MAY VARY BY .25" DUE TO CASTING AND/OR FABRICATION VARIATIONS.
- 2: LARGEST MOTOR WIDTH.
- 3: CONDUIT OPENING MAY BE LOCATED IN STEPS OF 90° STANDARD AS SHOWN WITH CONDUIT OPENING DOWN.
- 4: TOLERANCES SHOWN ARE IN INCHES.

TOLERANCES	8.250 AK	13.500 AK
FACE RUNOUT	.004 T.I.R.	.007 T.I.R.
PERMISSIBLE ECCENTRICITY OF MOUNTING RABBET	.004 T.I.R.	.007 T.I.R.
PERMISSIBLE SHAFT RUNOUT	.002 T.I.R.	.002 T.I.R.
"AK" DIMENSION	+.003;-.000	+.005;-.000

09-2425/A

Nidec Motor Corporation
St. Louis, Missouri

INFORMATION DISCLOSED ON THIS DOCUMENT IS CONSIDERED PROPRIETARY AND SHALL NOT BE REPRODUCED OR DISCLOSED WITHOUT WRITTEN CONSENT OF NIDEC MOTOR CORPORATION



ISSUED BY
E. WENDT
APPROVED BY
K. POTTER

IHP_DP_NMCA (MAR-2011) SOLIDEDGE