

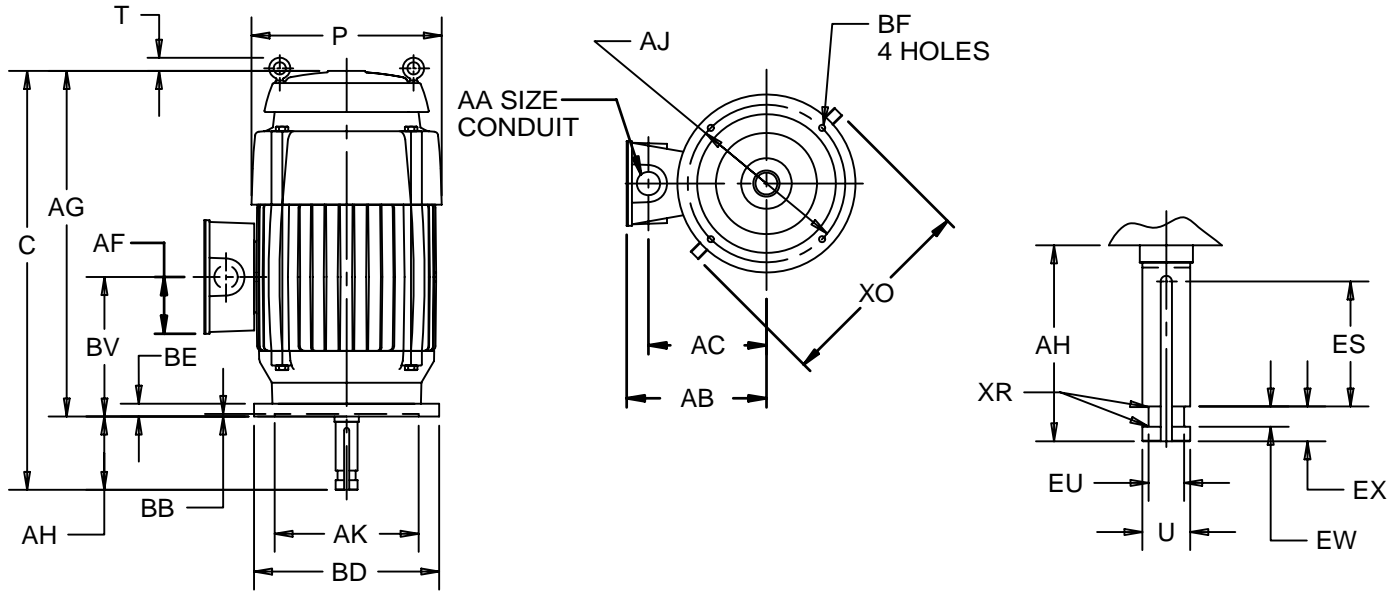
EFFECTIVE:
29-JUL-11

SUPERSEDES:
12-AUG-02

VERTICAL MOTORS
TEFC - CORRODUTY, IN-LINE PUMP
FRAME: 182, 184HP, LP
BASIC TYPE: TVCI9, TVCS9

PRINT:
09-2430

SHEET:
1 OF 1



ALL DIMENSIONS ARE IN INCHES AND MILLIMETERS

UNITS	C	P ²	T	U -.0005	AA	AB	AC	AF	AG	AH ±.062	AJ
IN	22.19	11.13	1.31	1.1250	1 NPT	7.31	6.13	3.19	19.44	2.750	9.125
MM	564	283	33	28.575		185	156	81	494	69.85	231.78

UNITS	AK +.003	BB MIN	BD MAX	BE	BF	BV	ES MIN	EU -.005	EW +.002	EX -.005	XO	XR	SQ KEY
IN	8.250	.19	10.00	.75	.44	8.00	1.28	.875	.375	.750	13.50	.03	.250
MM	209.55	5	254	19	11	203	33	22.23	9.53	19.05	343	1	6.35

- 1: ALL ROUGH CASTING DIMENSIONS MAY VARY BY .25" DUE TO CASTING AND/OR FABRICATION VARIATIONS.
- 2: LARGEST MOTOR WIDTH.
- 3: CONDUIT OPENING MAY BE LOCATED IN STEPS OF 90°. STANDARD AS SHOWN WITH CONDUIT OPENING DOWN.
- 4: TOLERANCES SHOWN ARE IN INCHES.

TOLERANCES	
FACE RUNOUT	.004 T.I.R.
PERMISSIBLE ECCENTRICITY OF MOUNTING RABBET	.004 T.I.R.
PERMISSIBLE SHAFT RUNOUT	.001 T.I.R.
PERMISSIBLE SHAFT ENDPLAY	.0015 MAX

09-2438/A

Nidec Motor Corporation
St. Louis, Missouri

INFORMATION DISCLOSED ON THIS DOCUMENT IS CONSIDERED PROPRIETARY AND SHALL NOT BE REPRODUCED OR DISCLOSED WITHOUT WRITTEN CONSENT OF NIDEC MOTOR CORPORATION



ISSUED BY
R. KING
APPROVED BY
K. POTTER

IHP_DP_NMCA (MAR-2011) SOLIDEDGE