

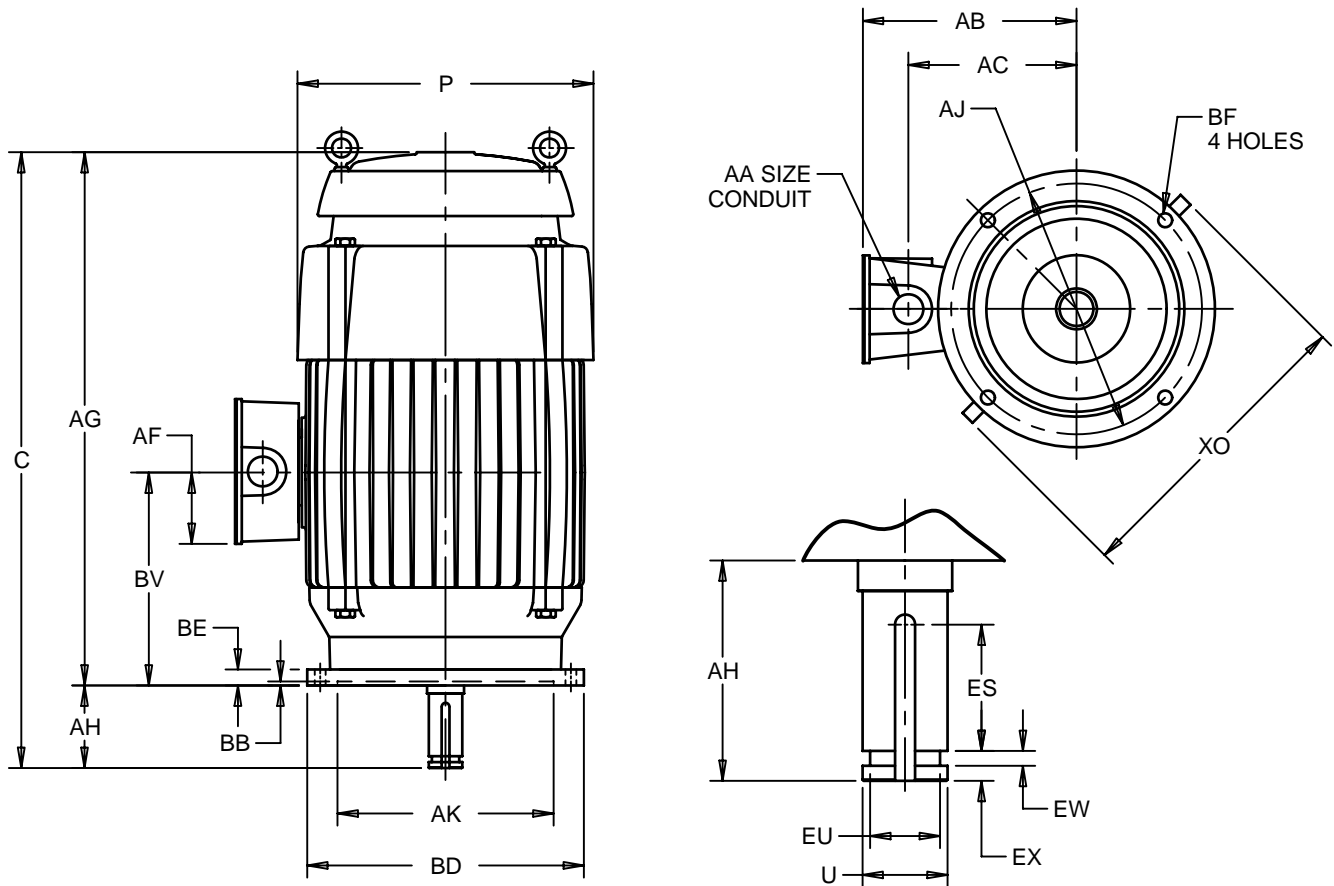
EFFECTIVE:
22-AUG-12

SUPERSEDES:
05-MAY-11

VERTICAL MOTORS
TEFC, IN-LINE PUMP
FRAME: 213, 215HP, LP
BASIC TYPE: TV9

PRINT:
09-2431

SHEET:
1 OF 1



ALL DIMENSIONS ARE IN INCHES AND MILLIMETERS

UNITS	C	P ²	AA	AB	AC	AF	AG	AH ±.062	AJ	AK +.003
IN	21.50	11.13	1.00	7.86	6.61	3.19	18.75	2.750	9.125	8.250
MM	546	283		200	168	81	476	69.85	231.78	209.55

UNITS	BB MIN	BD MAX	BE	BF	BV	ES MIN	EW +.002	EX -.005	XO
IN	.19	10.00	.75	.44	8.00	1.25	.375	.750	13.50
MM	5	25	19	11	203	32	9.53	19.05	343

FRAME	UNITS	U	EU -.005	SQ KEY
213, 215HP	IN	1.1250	.875	.250
	MM	28.575	22.23	6.35
213, 215LP	IN	1.625	1.250	.375
	MM	41.28	31.75	9.53

- ALL ROUGH DIMENSIONS MAY VARY BY .25" DUE TO CASTING AND/OR FABRICATION VARIATIONS.
- LARGEST MOTOR WIDTH.
- CONDUIT OPENINGS MAY BE LOCATED IN STEPS OF 90°. STANDARD AS SHOWN WITH CONDUIT OPENING DOWN.
- TOLERANCES SHOWN ARE IN INCHES ONLY.
- SHAFT EXTENSION DIAMETER TOLERANCE:
+.0000; -.0005 UP TO 1 1/2" INCLUSIVE,
LARGER DIAMETERS; +.000; -.001.

TOLERANCES	
FACE RUNOUT	.004 T.I.R.
PERMISSIBLE ECCENTRICITY OF MOUNTING RABBET	.004 T.I.R.
PERMISSIBLE SHAFT RUNOUT	.001 T.I.R.
PERMISSIBLE SHAFT ENDPLAY	.0015 MAX

09-2431/B

Nidec Motor Corporation
St. Louis, Missouri

INFORMATION DISCLOSED ON THIS DOCUMENT IS CONSIDERED PROPRIETARY AND SHALL NOT BE REPRODUCED OR DISCLOSED WITHOUT WRITTEN CONSENT OF NIDEC MOTOR CORPORATION



ISSUED BY
R. KING
APPROVED BY
J. O'BRIEN

IHP_DP_NMCA (MAR-2011) SOLIDEDGE