

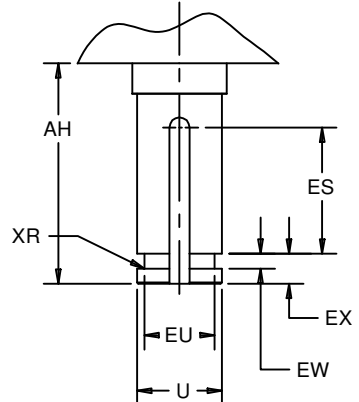
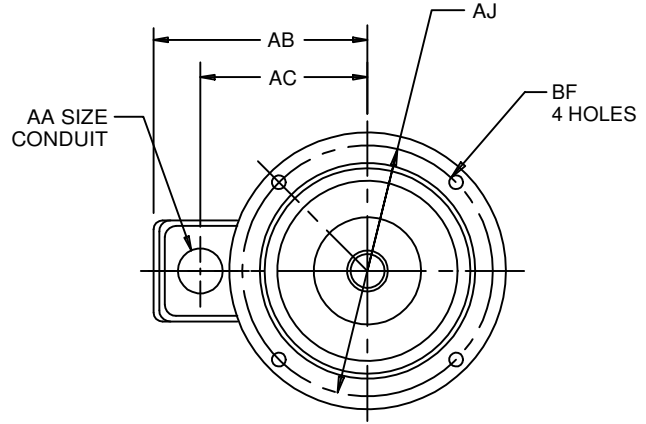
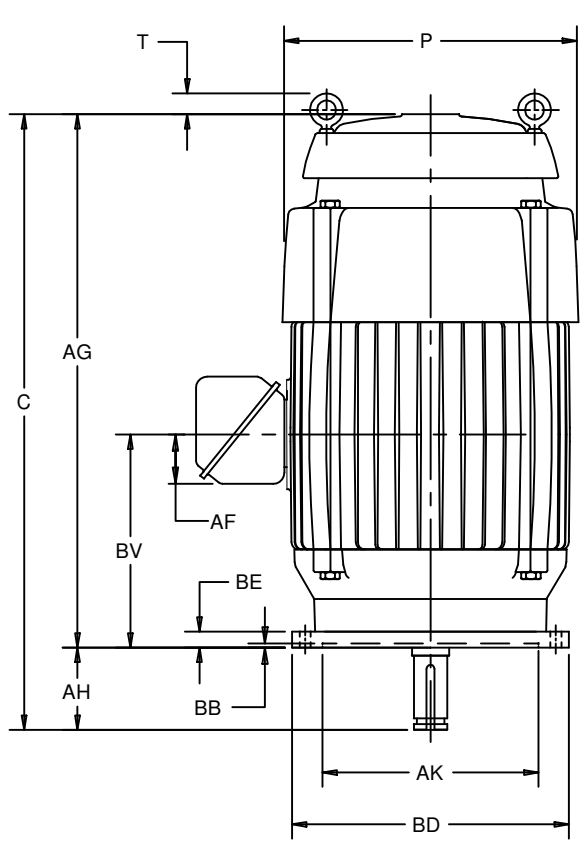
EFFECTIVE:
22-JUL-11

SUPERSEDES:
27-OCT-03

VERTICAL MOTORS
TEFC, IN-LINE PUMP
FRAME: 324, 326HP, LP, HPH
BASIC TYPE: TV9

PRINT:
09-2434

SHEET:
1 OF 1



ALL DIMENSIONS ARE IN INCHES AND MILLIMETERS

UNITS	C	P ²	T	AA	AB	AC	AF	AG
IN	34.69	17.00	.88	2.00	13.88	10.63	3.25	30.19
MM	881	432	22		353	270	83	767

UNITS	AH ±.062	BE	BV	ES MIN	EW +.002	EX -.005	XR
IN	4.500	1.00	11.94	3.03	.375	.750	.03
MM	114.30	25	303	77	9.53	19.05	1

FRAME	UNITS	U -.001	AJ	AK	BB MIN	BD MAX	BF	EU -.005	SQ KEY
320HP	IN	1.625	14.750	13.500	.25	16.50	.69	1.250	.375
	MM	41.28	374.65	342.90	6	419	18	31.75	9.53
320LP	IN	2.125	14.750	13.500	.25	16.50	.69	1.750	.500
	MM	53.98	374.65	342.90	6	419	18	44.45	12.70
320HPH	IN	1.625	9.125	8.250	.19	12.00	.44	1.250	.375
	MM	41.28	231.78	209.55	5	305	11	31.75	9.53

1. ALL ROUGH DIMENSIONS MAY VARY BY .25" DUE TO CASTING AND/OR FABRICATION VARIATIONS.
2. LARGEST MOTOR WIDTH.
3. CONDUIT OPENINGS MAY BE LOCATED IN STEPS OF 90 DEGREES REGARDLESS OF LOCATION. STANDARD AS SHOWN WITH CONDUIT OPENING DOWN.
4. TOLERANCES SHOWN ARE IN INCHES ONLY.

TOLERANCES	8.250 AK	13.50 0AK
FACE RUNOUT	.004 T.I.R.	.007 T.I.R.
PERMISSIBLE ECCENTRICITY OF MOUNTING RABBET	.004 T.I.R.	.007 T.I.R.
PERMISSIBLE SHAFT RUNOUT	.001 T.I.R.	.001 T.I.R.
MAXIMUM SHAFT END PLAY	.0015	.0015
TOLERANCE ON AK-DIMENSION	+.003	+.005

09-2434/B

Nidec Motor Corporation
St. Louis, Missouri

INFORMATION DISCLOSED ON THIS DOCUMENT IS CONSIDERED PROPRIETARY AND SHALL NOT BE REPRODUCED OR DISCLOSED WITHOUT WRITTEN CONSENT OF NIDEC MOTOR CORPORATION



ISSUED BY
E. WENDT
APPROVED BY
K. POTTER

IHP_DP_NMCA (MAR-2011) SOLIDEDGE