

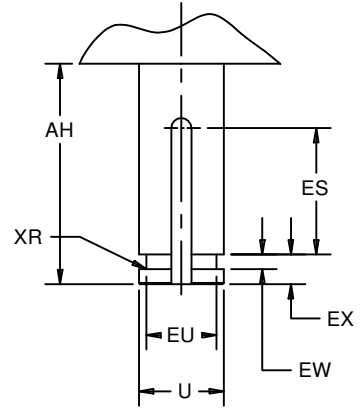
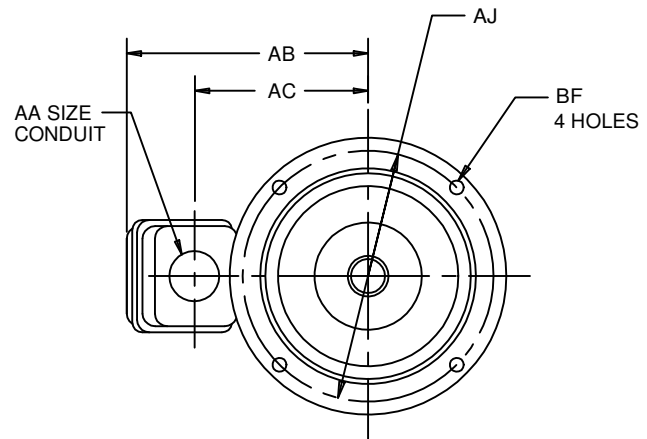
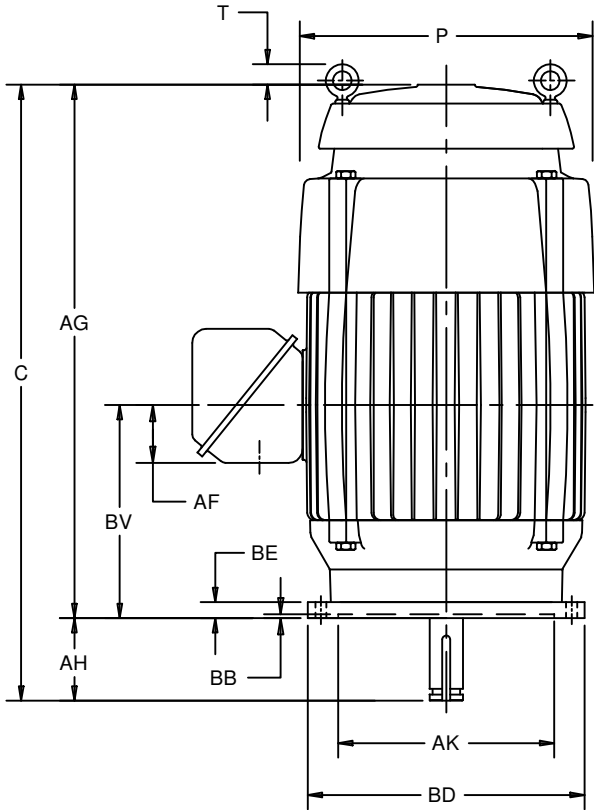
EFFECTIVE:
22-JUL-11

VERTICAL MOTORS
TEFC, IN-LINE PUMP
FRAME: 364, 365HP, LP
BASIC TYPE: TV9

PRINT:
09-2435

SUPERSEDES:
15-OCT-10

SHEET:
1 OF 1



ALL DIMENSIONS ARE IN INCHES AND MILLIMETERS

UNITS	C	P ²	T	AA	AB	AC	AF	AG	AH ³ ±.062	AJ
IN	36.75	18.75	1.31	3 1/2 NPT	17.00	12.75	5.28	32.25	4.500	14.750
MM	933	476	33		432	324	134	819	114.30	374.65

UNITS	AK +.005	BB MIN	BD MAX	BE	BF	BV	ES MIN	EW +.002	EX -.005	XR
IN	13.500	.25	16.50	1.00	.69	13.00	3.00	.375	.750	.03
MM	342.90	6	419	25	18	330	48	9.53	19.05	1

FRAME	UNITS	U -.001	EU -.005	SQ KEY
364,365HP	IN	1.625	1.250	.375
	MM	41.28	31.75	9.53
364,365LP	IN	2.125	1.750	.500
	MM	53.98	44.45	12.70

- 1: ALL ROUGH DIMENSIONS MAY VARY BY .25" DUE TO CASTING AND/OR FABRICATION VARIATIONS.
- 2: LARGEST MOTOR WIDTH.
- 3: CONDUIT OPENING MAY BE LOCATED IN STEPS OF 90°. STANDARD AS SHOWN WITH CONDUIT OPENING DOWN.
- 4: TOLERANCES SHOWN ARE IN INCHES ONLY.

TOLERANCES	LP	HP
FACE RUNOUT	.004 T.I.R.	.006 T.I.R.
PERMISSIBLE ECCENTRICITY OF MOUNTING RABBET	.004 T.I.R.	.006 T.I.R.
PERMISSIBLE SHAFT RUNOUT	.001 T.I.R.	.002 T.I.R.
PERMISSIBLE SHAFT ENDPLAY	.0015 MAX	

09-2436/B

Nidec Motor Corporation
St. Louis, Missouri

INFORMATION DISCLOSED ON THIS DOCUMENT IS CONSIDERED PROPRIETARY AND SHALL NOT BE REPRODUCED OR DISCLOSED WITHOUT WRITTEN CONSENT OF NIDEC MOTOR CORPORATION



ISSUED BY
E. WENDT
APPROVED BY
K. POTTER

IHP_DP_NMCA (MAR-2011) SOLIDEDGE