

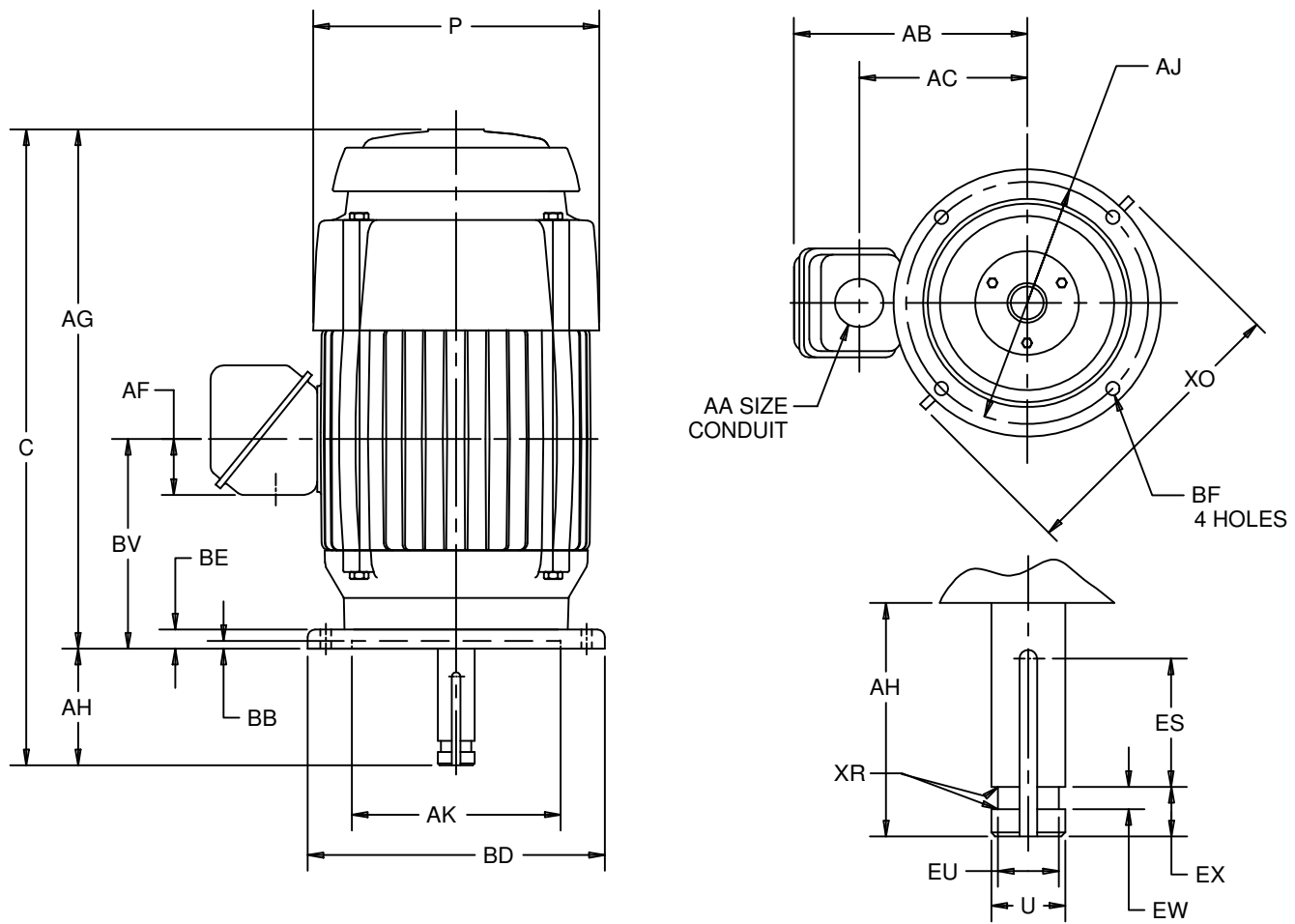
EFFECTIVE:
22-JUL-11

VERTICAL MOTORS
TEFC, IN-LINE PUMP
FRAME: 404, 405HP, LP, HPH
BASIC TYPE: TV9

PRINT:
09-2436

SUPERSEDES:
17-MAY-10

SHEET:
1 OF 1



ALL DIMENSIONS ARE IN INCHES AND MILLIMETERS

UNITS	C	P ²	AA	AB	AC	AF	AG	AH ⁵	AJ
IN	42.44	21.19	3.00	17.50	13.31	3.38	37.94	4.500	14.750
MM	1078	538		445	338	86	964	114.30	374.65

UNITS	AK +.005	BB MIN	BD MAX	BE	BF	BV	ES MIN	EW +.002	EX -.005	XO	XR
IN	13.500	.25	16.50	1.00	.69	15.63	3.03	.375	.750	24.13	.03
MM	342.90	6	406	25	18	397	77	9.53	19.05	613	1

FRAME	UNITS	U -.001	EU -.005	SQ KEY
404,405HP	IN	1.625	1.250	.375
	MM	41.28	31.75	9.53
404,405LP,HPH	IN	2.125	1.750	.500
	MM	53.98	44.45	12.70

- 1: ALL ROUGH DIMENSIONS MAY VARY BY .25" DUE TO CASTING AND/OR FABRICATION VARIATIONS.
- 2: LARGEST MOTOR WIDTH.
- 3: CONDUIT OPENING MAY BE LOCATED IN STEPS OF 90 DEGREES. STANDARD AS SHOWN WITH CONDUIT OPENING DOWN.
- 4: TOLERANCES SHOWN ARE IN INCHES ONLY.
- 5: TOLERANCES ON "AH" DIMENSION LP/±.031; HP, HPH/±.062.

	TOLERANCES	
	LP	HP, HPH
FACE RUNOUT	.004 T.I.R.	.006 T.I.R.
PERMISSIBLE ECCENTRICITY OF MOUNTING RABBET	.004 T.I.R.	.006 T.I.R.
PERMISSIBLE SHAFT RUNOUT	.001 T.I.R.	.002 T.I.R.
PERMISSIBLE SHAFT ENDPLAY	.0015 MAX	---

09-2436/C

Nidec Motor Corporation
St. Louis, Missouri

INFORMATION DISCLOSED ON THIS DOCUMENT IS CONSIDERED PROPRIETARY AND SHALL NOT BE REPRODUCED OR DISCLOSED WITHOUT WRITTEN CONSENT OF NIDEC MOTOR CORPORATION



ISSUED BY
E. WENDT
APPROVED BY
K. POTTER

IHP_DP_NMCA (MAR-2011) SOLIDEDGE