

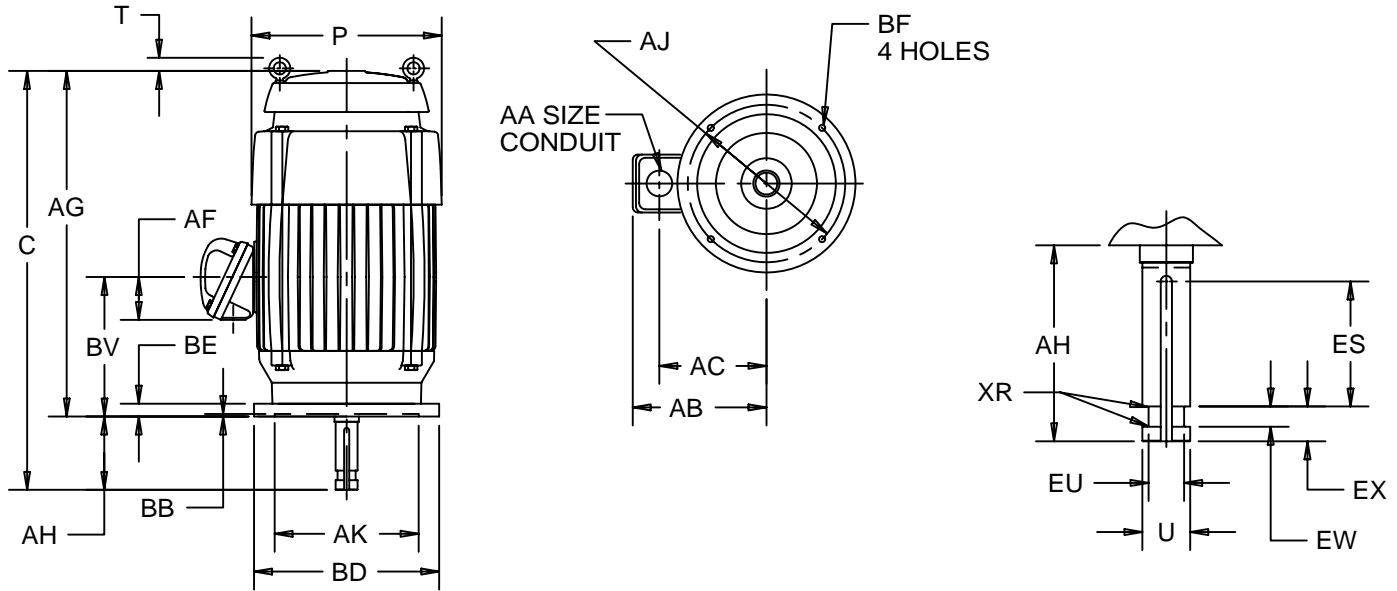
EFFECTIVE:
29-JUL-11

SUPERSEDES:
19-AUG-02

VERTICAL MOTORS
TEFC - CORRODUTY, IN-LINE PUMP
FRAME: 182, 184HP, LP
BASIC TYPE: TVCI9, TVCS9

PRINT:
09-2438

SHEET:
1 OF 1



ALL DIMENSIONS ARE IN INCHES AND MILLIMETERS

UNITS	C	P	T	U	AA	AB	AC	AF	AG	AH	AJ
IN	23.25	11.06	1.31	-0.0005	1 NPT	9.81	7.25	2.00	20.50	±0.062	9.125
MM	591	281	33	28.575		249	184	51	521	69.85	231.78

UNITS	AK	BB	BD	BE	BF	BV	ES	EU	EW	EX	XR	SQ
	+.003	MIN	MAX				MIN	-.005	+.002	-.005		KEY
IN	8.250	.19	10.00	.75	.44	8.00	1.28	.875	.375	.750	.03	.250
MM	209.55	5	254	19	11	203	33	22.23	9.53	19.05	1	6.35

- 1: ALL ROUGH CASTING DIMENSIONS MAY VARY BY .25" DUE TO CASTING AND/OR FABRICATION VARIATIONS.
- 2: LARGEST MOTOR WIDTH.
- 3: CONDUIT OPENING MAY BE LOCATED IN STEPS OF 90°. STANDARD AS SHOWN WITH CONDUIT OPENING DOWN.
- 4: TOLERANCES SHOWN ARE IN INCHES.

TOLERANCES	
FACE RUNOUT	.004 T.I.R.
PERMISSIBLE ECCENTRICITY OF MOUNTING RABBET	.004 T.I.R.
PERMISSIBLE SHAFT RUNOUT	.001 T.I.R.
PERMISSIBLE SHAFT ENDPLAY	.0015 MAX

09-2438/A

Nidec Motor Corporation
St. Louis, Missouri

INFORMATION DISCLOSED ON THIS DOCUMENT IS CONSIDERED PROPRIETARY AND SHALL NOT BE REPRODUCED OR DISCLOSED WITHOUT WRITTEN CONSENT OF NIDEC MOTOR CORPORATION



ISSUED BY
R. KING
APPROVED BY
K. POTTER

IHP_DP_NMCA (MAR-2011) SOLIDEDGE