

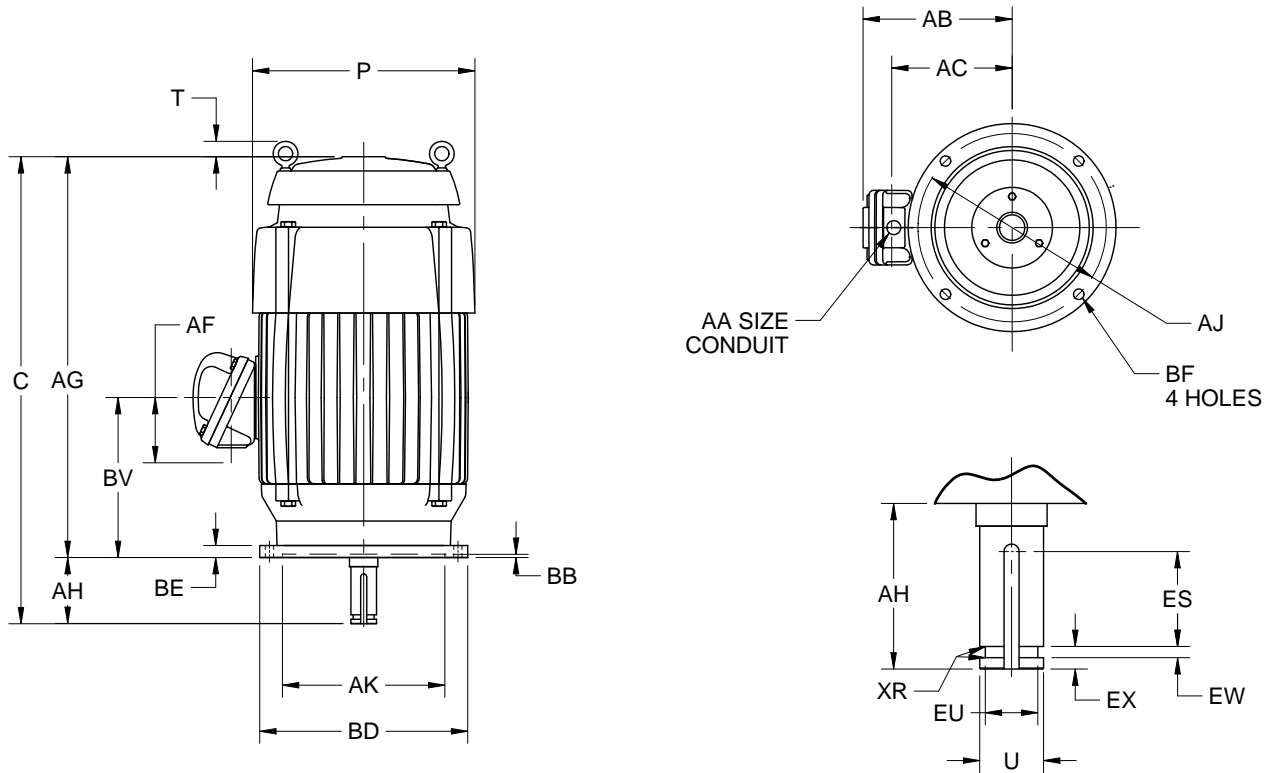
EFFECTIVE:  
**18-DEC-15**

**DIMENSION PRINT**  
TEFC - CORRO-DUTY, IN-LINE PUMP  
FRAME:180, 210 HP, LP  
BASIC TYPE: TVC9

PRINT:  
**09-2439**

SUPERSEDES:  
**22-JUL-11**

SHEET:  
**1 OF 1**



ALL DIMENSIONS ARE IN INCHES AND MILLIMETERS

UNITS	C	P <sup>2</sup>	T	AA	AB	AC	AF	AG	AH ±.063	AJ	AK
IN	23.25	11.06	1.31	1 NPT	9.81	7.25	2.00	20.50	2.750	9.125	8.250
MM	591	281	33		249	184	51	521	69.85	231.78	209.55

UNITS	BB MIN	BD MAX	BE	BF	BV	ES MIN	EW +.002	EX -.005	XR
IN	.19	10.00	.75	.44	8.00	1.25	.375	.750	.03
MM	5	254	19	11	203	32	9.53	19.05	1

FRAME	UNITS	U <sup>5</sup> -.0005	EU -.005	SQ KEY
182, 184 LP	IN	1.1250	.875	.250
213, 215 HP	MM	28.575	22.23	6.35
213, 215 LP	IN	1.6250	1.250	.375
	MM	41.280	31.75	9.53

- ALL ROUGH DIMENSIONS MAY VARY BY .25" DUE TO CASTING AND/OR FABRICATION VARIATIONS.
- LARGEST MOTOR WIDTH.
- CONDUIT OPENING MAY BE LOCATED IN STEPS OF 90°. STANDARD AS SHOWN WITH CONDUIT OPENING DOWN.
- TOLERANCES SHOWN ARE IN INCHES ONLY.
- DIMENSIONS APPLY TO 180 FRAME PREMIUM EFFICIENT MOTORS AND ALL 210 FRAME MOTORS.

TOLERANCES	
FACE RUNOUT	.004 T.I.R.
PERMISSIBLE ECCENTRICITY OF MOUNTING RABBET	.004 T.I.R.
PERMISSIBLE SHAFT RUNOUT	.002 T.I.R.
FOR SPECIAL SHAFT RUNOUT	.001 T.I.R.

09-2439/C

**Nidec Motor Corporation**  
St. Louis, Missouri

INFORMATION DISCLOSED ON THIS DOCUMENT IS CONSIDERED PROPRIETARY AND SHALL NOT BE REPRODUCED OR DISCLOSED WITHOUT WRITTEN CONSENT OF NIDEC MOTOR CORPORATION



ISSUED BY  
**R. MARTINEZ**  
APPROVED BY  
**E. LUNA**

IHP\_DP\_NMCA (MAR-2011) SOLIDEDGE