

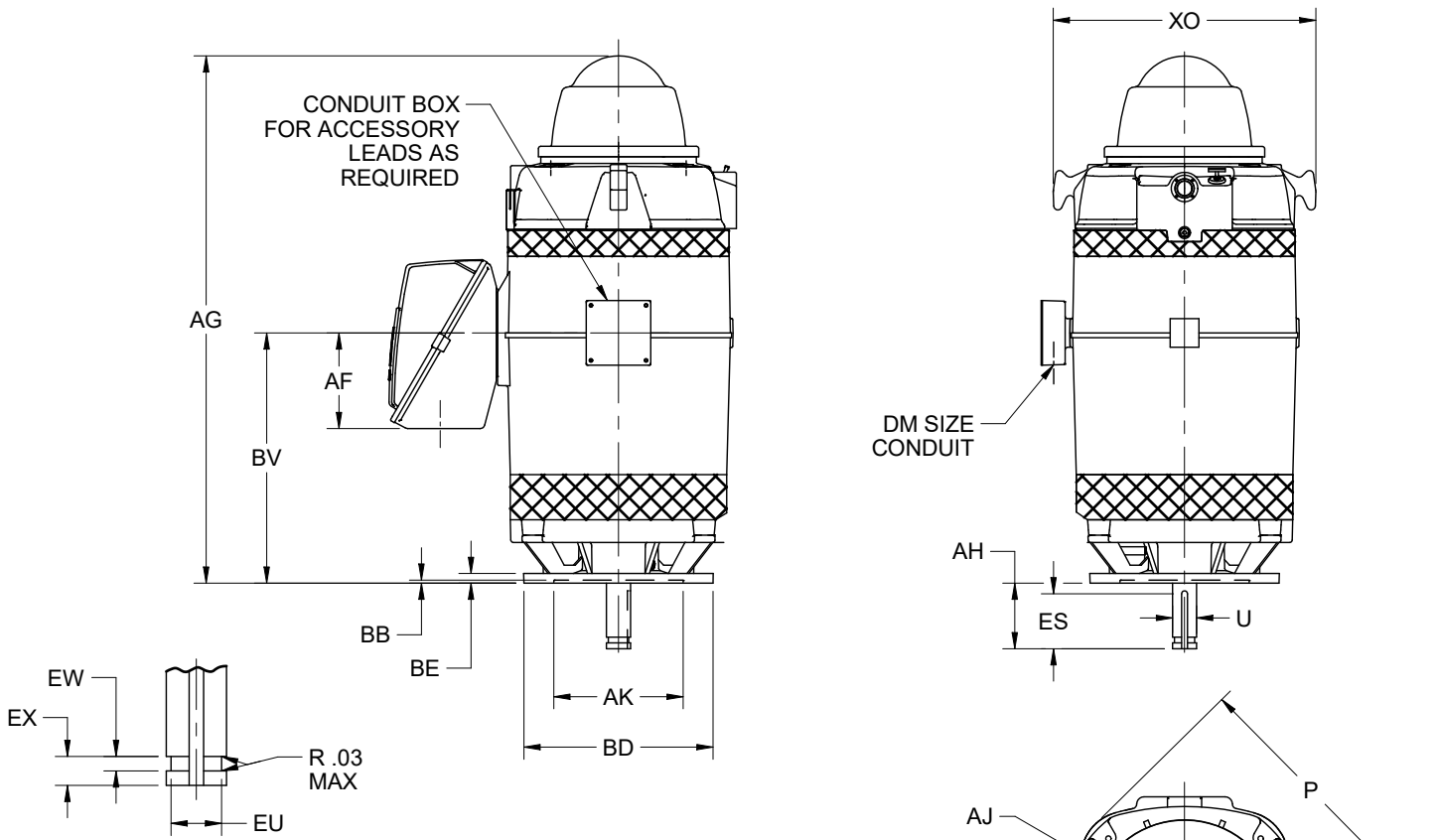
EFFECTIVE:
19-FEB-20

DIMENSION PRINT
WEATHER PROTECTED TYPE I
FRAME: 447VP, VPA, VPB
BASIC TYPE: RV4

PRINT:
09-2629

SUPERSEDES:
01-MAR-11

SHEET:
1 OF 1



ALL DIMENSIONS ARE IN INCHES AND MILLIMETERS

UNITS	P ²	AB	AC	AF	AG	AJ	AK +.005
IN	26.94	24.25	18.75	10.00	55.00	14.750	13.500
MM	684	616	476	254	1397	374.65	342.90

UNITS	BB MIN	BE	BF	BV	EW +.002	EX -.005	XO
IN	.25	1.00	.69	26.19	.375	.750	27.50
MM	6	25	18	665	9.53	19.05	699

	4-POLE	6-POLE	8-POLE & SLOWER	UNITS	U -.001	AH ±.063	ES MIN	EU -.005	SQ KEY
HP	300 & DOWN	200 & DOWN	ALL	IN	2.125	4.50	3.00	1.750	.500
				MM	53.98	114.30	76	44.45	12.70
	350 TO 400	250	----	IN	2.375	5.00	3.50	2.000	.625
				MM	60.33	127.00	89	50.80	15.88

FRAME	UNITS	BD MAX
447VP	IN	16.50
	MM	419
447VPA	IN	20.00
	MM	508
447VPB	IN	24.50
	MM	622

AA
3 NPT
3 1/2 NPT
4 NPT

DM
3/4 NPT
1 NPT
1 1/2 NPT

- DIMENSIONS MAY VARY BY .25" DUE TO CASTING AND/OR FABRICATION VARIATIONS.
- LARGEST MOTOR WIDTH.
- TOLERANCES SHOWN ARE IN INCHES ONLY.

09-2629/B

Nidec Motor Corporation
St. Louis, Missouri

INFORMATION DISCLOSED ON THIS DOCUMENT IS CONSIDERED PROPRIETARY AND SHALL NOT BE REPRODUCED OR DISCLOSED WITHOUT WRITTEN CONSENT OF NIDEC MOTOR CORPORATION



ISSUED BY
I. GONZALEZ
APPROVED BY
E. OVIEDO

IHP_DP_NMCA (MAR-2011) SOLIDEDGE