

EFFECTIVE:
15-JUL-13

DIMENSION PRINT

WEATHER PROTECTED TYPE II

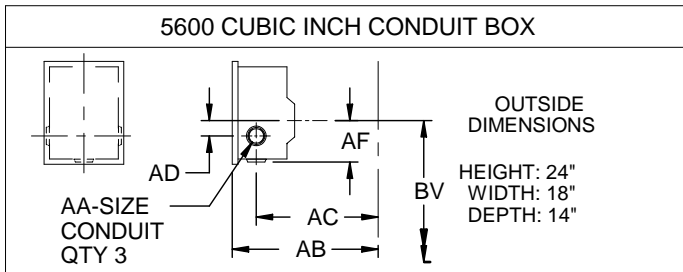
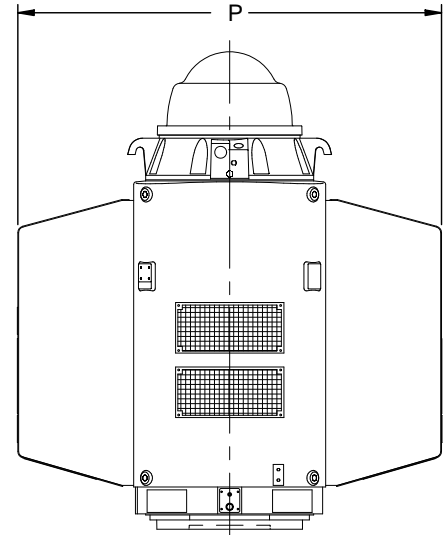
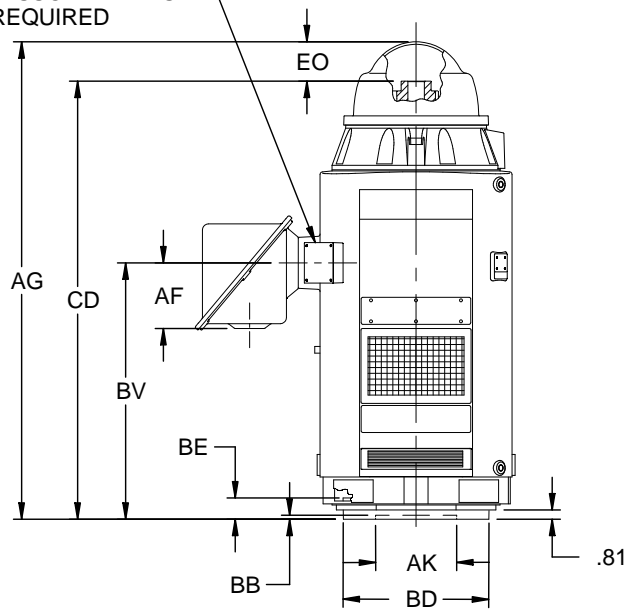
FRAME: 5000PH, P, PA
BASIC TYPE: RU

PRINT:
09-2658

SUPERSEDES:
01-AUG-11

SHEET:
1 OF 2

CONDUIT BOX FOR
ACCESSORY LEADS
AS REQUIRED

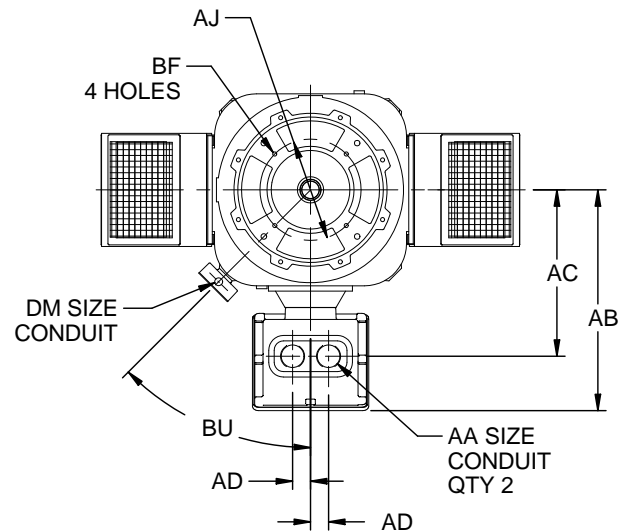


TOLERANCES	
FACE RUNOUT	.007 TIR
PERMISSIBLE ECCENTRICITY OF MOUNTING RABBET	.007 TIR
MAXIMUM SHAFT END PLAY	.010

FRAME	P	AG	BV	CD	EO
5008	71.00	63.88	27.00	57.06	6.42
5012		78.88	42.00	72.30	

FRAME	AJ	AK +.005	BB MIN	BD MAX	BE	BF
5000PH	14.750	13.500	.25	20.00	2.19	.69
5000P ³	14.750	13.500		24.50		.69
	22.000			30.50		.94
5000PA	26.000	22.000				.81

VOLTS	C/BOX VOLUME (CU. IN.)	AB	AC	AD	AF	BU
0-4800	3400	36.50	27.88	3.00	10.94	45°
4801-6900	5600	36.13	30.13	4.00	10.81	



AA
2 NPT
2-1/2 NPT
3 NPT
3-1/2 NPT
4 NPT

DM
1/2 NPT
3/4 NPT
1 NPT
1-1/4 NPT
1-1/2 NPT

1: DIMENSIONS MAY VARY .25" DUE TO CASTING AND/OR FABRICATION VARIATIONS.
2: DIMENSIONS AND TOLERANCES ARE SHOWN IN INCHES.
3: 5000P HAS TWO BOLT CIRCLES.

09-2658/A

Nidec Motor Corporation
St. Louis, Missouri

INFORMATION DISCLOSED ON THIS DOCUMENT IS CONSIDERED PROPRIETARY AND SHALL NOT BE REPRODUCED OR DISCLOSED WITHOUT WRITTEN CONSENT OF NIDEC MOTOR CORPORATION



ISSUED BY
R. KING
APPROVED BY
K. POTTER

IHP_DP_NMCA (MAR-2011) SOLIDEDGE

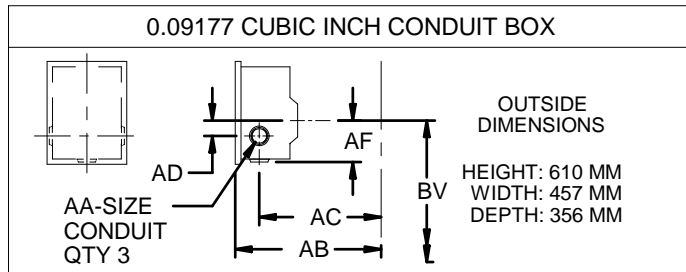
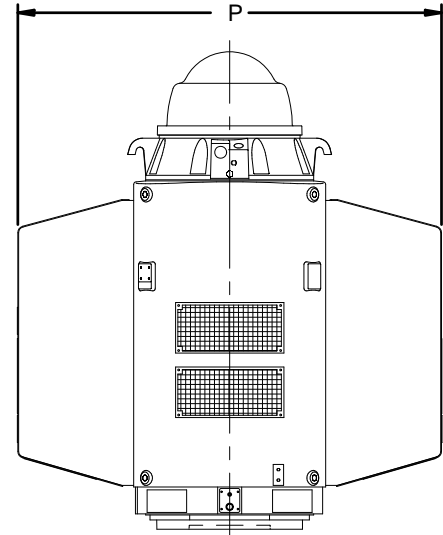
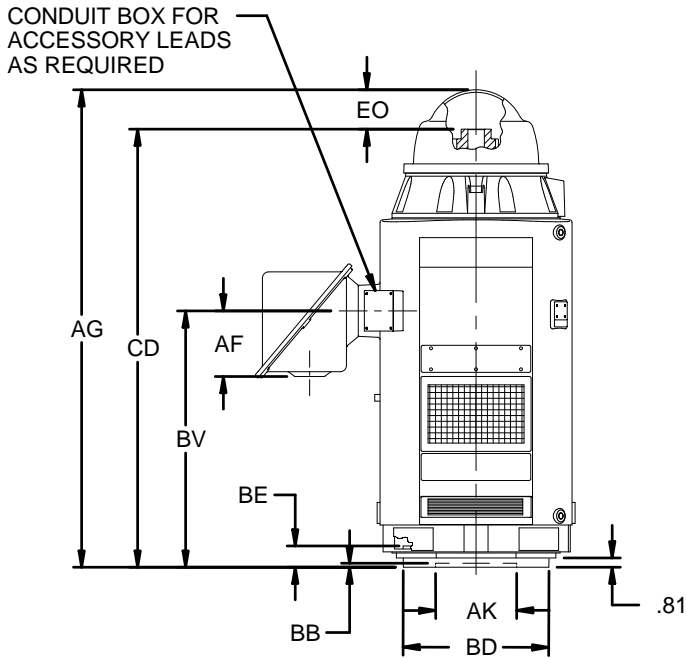
EFFECTIVE:
15-JUL-13

DIMENSION PRINT
WEATHER PROTECTED TYPE II
FRAME: 5000PH, P, PA
BASIC TYPE: RU

PRINT:
09-2658

SUPERSEDES:
01-AUG-11

SHEET:
2 OF 2

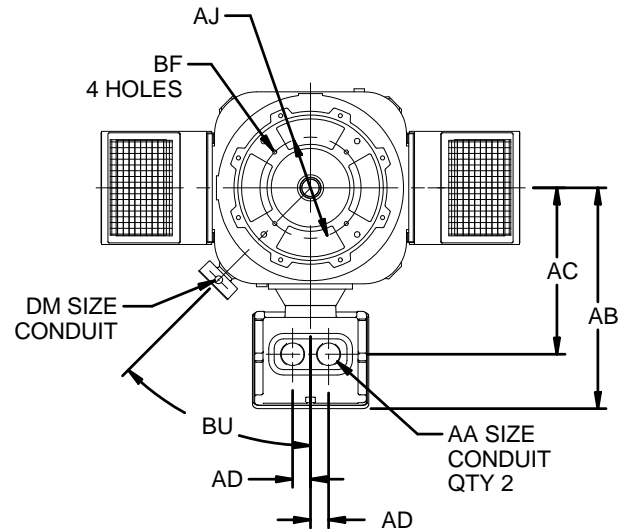


TOLERANCES	
FACE RUNOUT	.178 TIR
PERMISSIBLE ECCENTRICITY OF MOUNTING RABBET	.178 TIR
MAXIMUM SHAFT END PLAY	.254

FRAME	P	AG	BV	CD	EO
5008	1803	1623	686	1449	163
5012		2004	1067	1836	

FRAME	AJ	AK +.127	BB MIN	BD MAX	BE	BF
5000PH	374.65	342.90	6	508	56	18
5000P ³	374.65	342.90		622		18
	558.80			775		24
5000PA	660.40	558.80				21

VOLTS	C/BOX VOLUME (CU. IN.)	AB	AC	AD	AF	BU
0-4800	0.05572	927	708	76	278	45°
4801-6900	0.09177	918	765	102	275	



1: DIMENSIONS MAY VARY 6MM DUE TO CASTING AND/OR FABRICATION VARIATIONS.
2: DIMENSIONS AND TOLERANCES ARE SHOWN IN MILLIMETERS.
3: 5000P HAS TWO BOLT CIRCLES.

09-2658/A

Nidec Motor Corporation
St. Louis, Missouri

INFORMATION DISCLOSED ON THIS DOCUMENT IS CONSIDERED PROPRIETARY AND SHALL NOT BE REPRODUCED OR DISCLOSED WITHOUT WRITTEN CONSENT OF NIDEC MOTOR CORPORATION



ISSUED BY
R. KING
APPROVED BY
K. POTTER

IHP_DP_NMCA (MAR-2011) SOLIDEDGE