

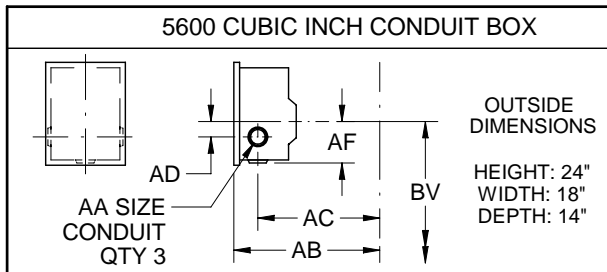
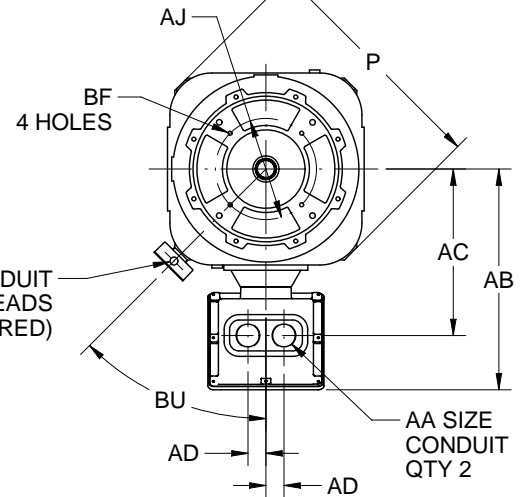
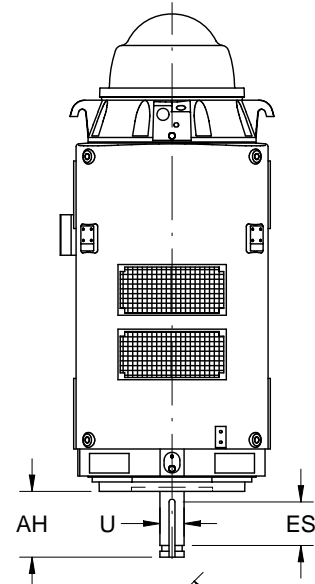
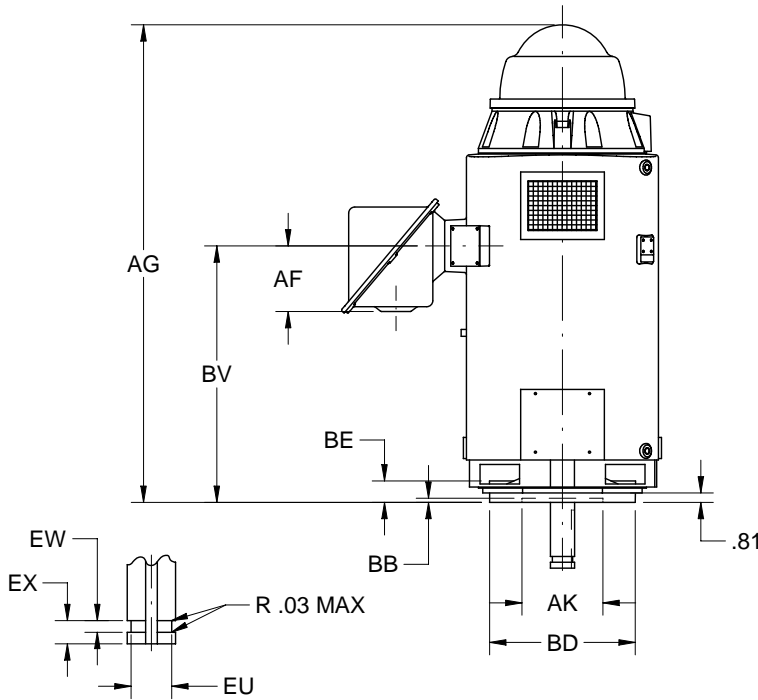
EFFECTIVE:
18-OCT-11

SUPERSEDES:
01-AUG-11

VERTICAL MOTORS
WEATHER PROTECTED TYPE I
FRAME: 5000VPH, VP, VPA
BASIC TYPE: RV4

PRINT:
09-2659

SHEET:
1 OF 1



FRAME	P	AG	BV
5008	40.00	63.88	27.00
5012		78.88	42.00

POLE	U	AH	ES	EU	EW	EX	SQ
2	-0.001	±.062	MIN	-0.005	+0.002	-0.005	KEY
4 & SLOWER	3.125	7.000	5.00	2.625	.500	1.000	.750

VOLTS	C/BOX VOLUME (CI. IN.)	AB	AC	AD	AF	BU
0-4800	3400	36.50	27.88	3.00	10.94	45°
4801-6900	5600	36.13	30.13	4.00	10.81	

FRAME	AJ	AK	BB	BD	BE	BF
5000VPH	14.750	+0.005	MIN	MAX	2.19	.69
5000VP ³	14.750	13.500	.25	20.00		.69
	22.000			24.50		.94
5000VPA	26.000	22.000		30.50		.81

AA	DM
2 NPT	1/2 NPT
2 1/2 NPT	3/4 NPT
3 NPT	1 NPT
3 1/2 NPT	1 1/4 NPT
4 NPT	1 1/2 NPT

TOLERANCES

FACE RUNOUT	.007 TIR
PERMISSIBLE ECCENTRICITY OF MOUNTING RABBET	.007 TIR
PERMISSIBLE SHAFT RUNOUT	.003 TIR
MAXIMUM SHAFT END PLAY	.010

1. DIMENSIONS MAY VARY .25" DUE TO CASTING AND/OR FABRICATION VARIATIONS.
2. DIMENSIONS AND TOLERANCES ARE SHOWN IN INCHES.
3. 5000VP HAS TWO BOLT CIRCLES.

09-2659/C

Nidec Motor Corporation
St. Louis, Missouri

INFORMATION DISCLOSED ON THIS DOCUMENT IS CONSIDERED PROPRIETARY AND SHALL NOT BE REPRODUCED OR DISCLOSED WITHOUT WRITTEN CONSENT OF NIDEC MOTOR CORPORATION



ISSUED BY
K. FRIEDMAN
APPROVED BY
J. O'BRIEN

IHP_DP_NMCA (MAR-2011) SOLIDEDGE