

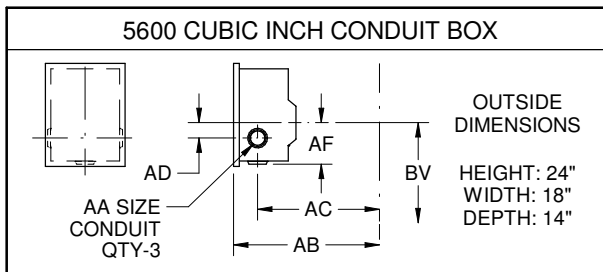
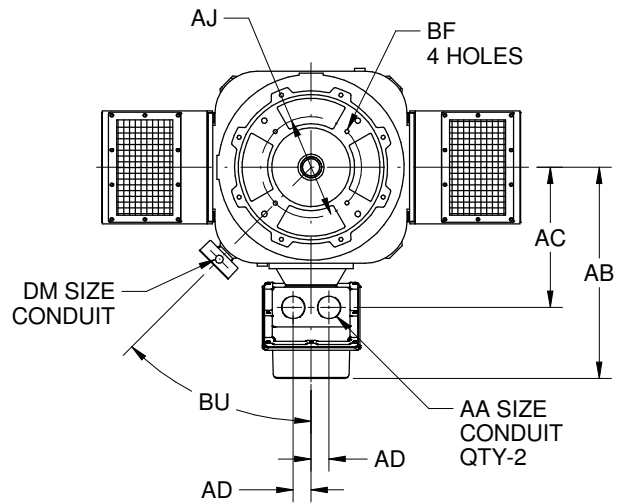
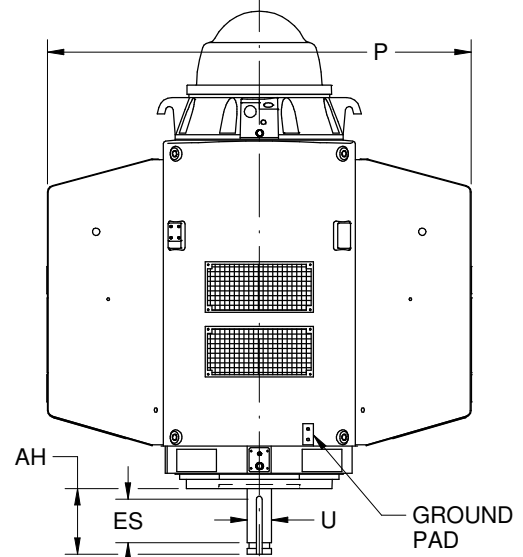
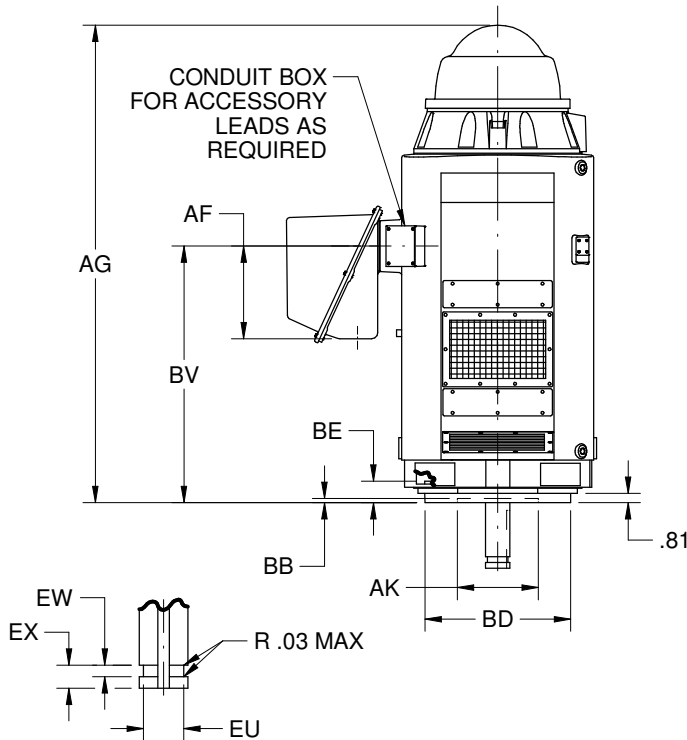
EFFECTIVE:  
**06-APR-20**

**DIMENSION PRINT**  
WEATHER PROTECTED TYPE II  
FRAME: 5000VPH, VP, VPA  
BASIC TYPE: RV4

PRINT:  
**09-2660-Y5**

SUPERSEDES:  
**NEW**

SHEET:  
**1 OF 1**



FRAME	P	AG	BV
5008	71.00	63.88	27.00
5012		78.88	42.00

POLE	U	AH	ES	EU	EW	EX	SQ
2	-.001	±.062	MIN	-.005	+.002	-.005	KEY
4 & SLOWER	2.375	5.000	3.50	2.000	.375	.750	.625
	3.125	7.000	5.00	2.625	.500	1.000	.750

VOLTS	C/BOX VOLUME (CU.IN.)	AB	AC	AD	AF	BU
0-4800	3400	35.50	23.56	3.00	15.50	45°
4801-6900	5600	36.13	30.13	4.00	10.81	

FRAME	AJ	AK	BB	BD	BE	BF
5000VPH	14.750	13.500	.25	20.00	2.19	.69
5000VP <sup>3</sup>	14.750	13.500		24.50		.69
	22.000			.94		
5000VPA	26.000	22.000		30.50		.81

AA	DM
2 NPT	1/2 NPT
2 1/2 NPT	3/4 NPT
3 NPT	1 NPT
3 1/2 NPT	1 1/4 NPT
4 NPT	1 1/2 NPT

**TOLERANCES**

FACE RUNOUT	.007 T.I.R.
PERMISSIBLE ECCENTRICITY OF MOUNTING RABBIT	.007 T.I.R.
PERMISSIBLE SHAFT RUNOUT	.003 T.I.R.
MAXIMUM SHAFT END PLAY	.010

1. DIMENSIONS MAY VARY .25" DUE TO CASTING AND/OR FABRICATION VARIATIONS.  
2. DIMENSIONS AND TOLERANCES ARE SHOWN IN INCHES.  
3. 5000VP HAS TWO BOLT CIRCLES.

09-2660/A

**Nidec Motor Corporation**  
St. Louis, Missouri

INFORMATION DISCLOSED ON THIS DOCUMENT IS CONSIDERED PROPRIETARY AND SHALL NOT BE REPRODUCED OR DISCLOSED WITHOUT WRITTEN CONSENT OF NIDEC MOTOR CORPORATION



ISSUED BY  
**R. KING**  
APPROVED BY  
**T. COLOMA**

IHP\_DP\_NMCA (MAR-2011) SOLIDEDGE