

EFFECTIVE:
19-APR-11

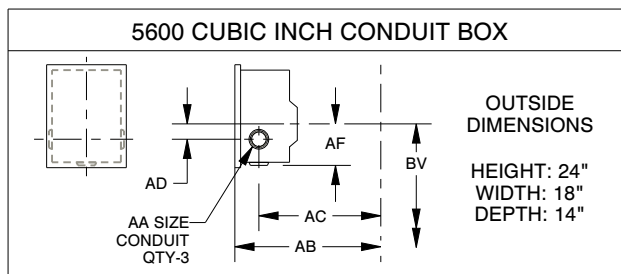
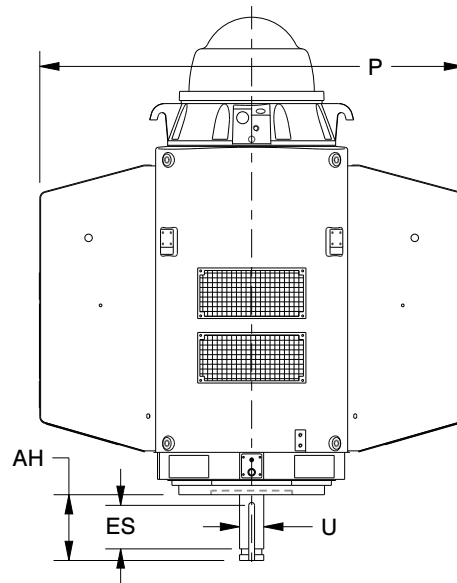
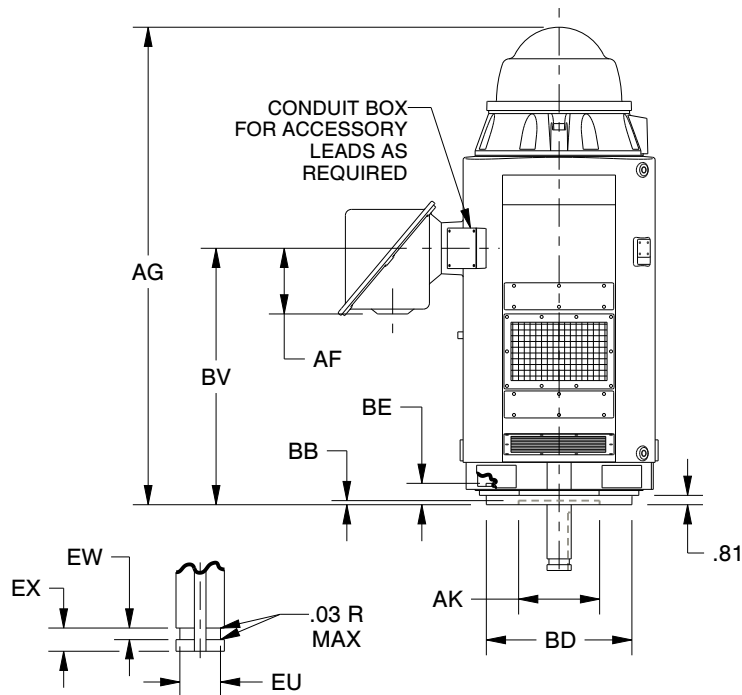
SUPERSEDES:
03-JUL-06

VERTICAL MOTORS

WEATHER PROTECTED TYPE II
FRAME: 5000VPH, VP, VPA
TYPE: RV4

PRINT:
09-2660

SHEET:
1 OF 1

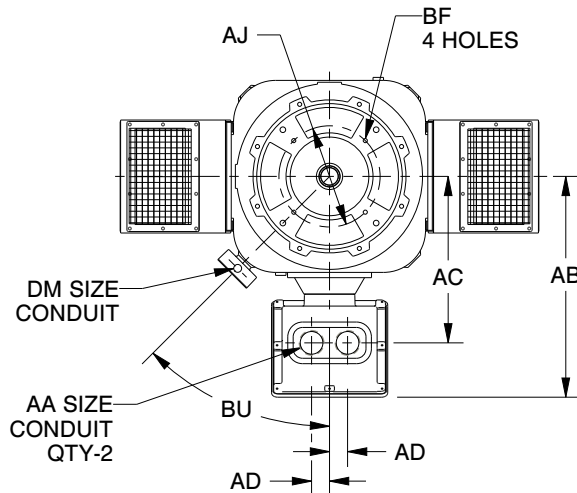


FRAME	P	AG	BV
5008	71.00	63.88	27.00
5012		78.88	42.00

POLE	U	AH	ES	EU	EW	EX	SQ KEY
2	-.001	±.062	MIN	-.005	+.002	-.005	.625
4 & SLOWER	3.125	7.000	5.00	2.625	.500	1.000	.750

VOLTS	C/BOX VOLUME (CU.IN.)	AB	AC	AD	AF	BU
0-4800	3400	36.50	27.88	3.00	10.94	45°
4801-6900	5600	36.13	30.13	4.00	10.81	

FRAME	AJ	AK + .005	BB MIN	BD MAX	BE	BF
5000VPH	14.750	13.500	.25	20.00	2.19	.69
5000VP ³	14.750	13.500		24.50		.69
	22.000			30.50		.94
5000VPA	26.000	22.000				.81



AA	DM
2 NPT	1/2 NPT
2 1/2 NPT	3/4 NPT
3 NPT	1 NPT
3 1/2 NPT	1 1/4 NPT
4 NPT	1 1/2 NPT

TOLERANCES	
FACE RUNOUT	.007 T.I.R.
PERMISSIBLE ECCENTRICITY OF MOUNTING RABBET	.007 T.I.R.
PERMISSIBLE SHAFT RUNOUT	.003 T.I.R.
MAXIMUM SHAFT END PLAY	.010

1. DIMENSIONS MAY VARY .25" DUE TO CASTING AND/OR FABRICATION VARIATIONS.
2. DIMENSIONS AND TOLERANCES ARE SHOWN IN INCHES.
3. 5000VP HAS TWO BOLT CIRCLES.

09-2660/A

Nidec Motor Corporation
St. Louis, Missouri

INFORMATION DISCLOSED ON THIS DOCUMENT IS CONSIDERED PROPRIETARY AND SHALL NOT BE REPRODUCED OR DISCLOSED WITHOUT WRITTEN CONSENT OF NIDEC MOTOR CORPORATION



ISSUED BY
K. FRIEDMAN
APPROVED BY
K. POTTER

IHP_DP_NMCA (MAR-2011) PROENGINEER