

EFFECTIVE:
11-DEC-13

DIMENSION PRINT

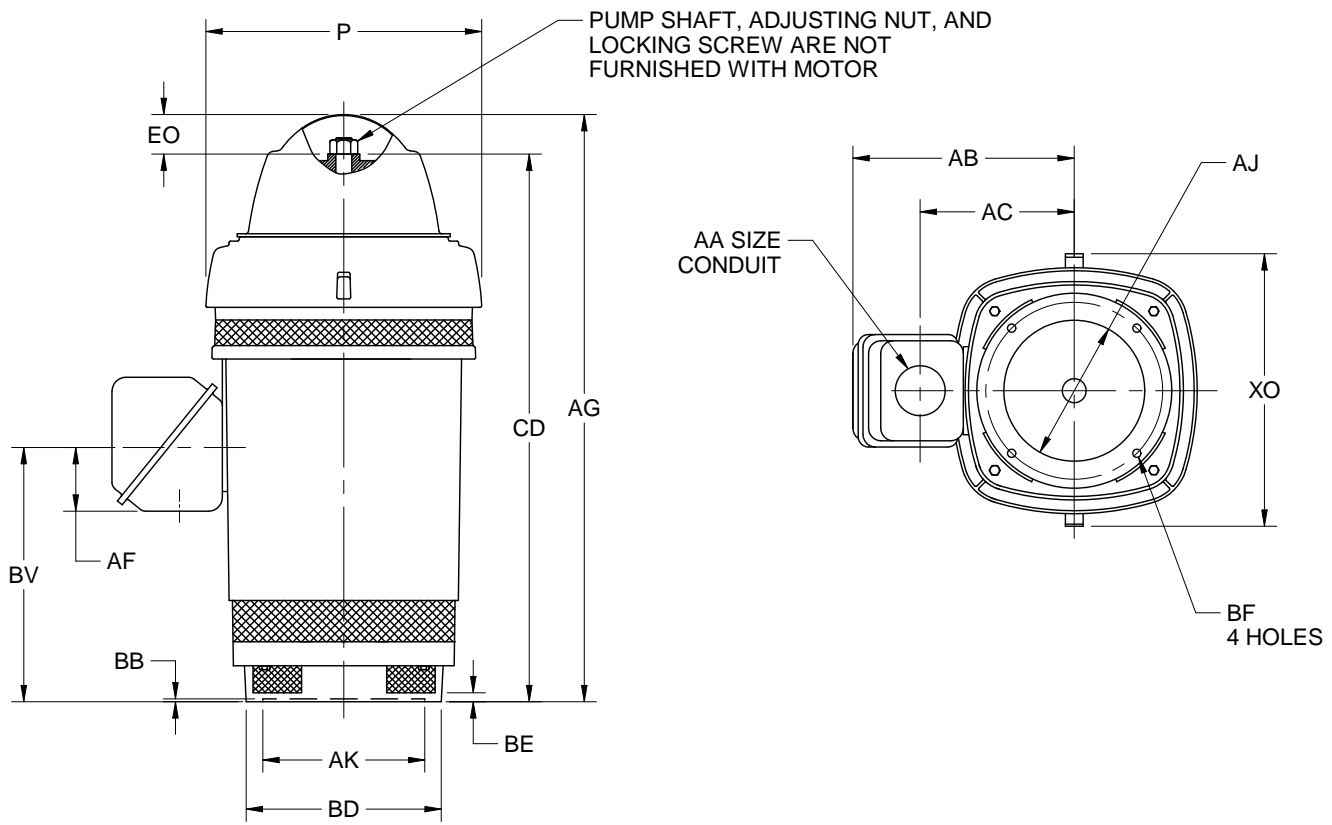
W / OVERSIZED CONDUIT BOX

PRINT:
09-3100

SUPERSEDES:
NEW

FRAME: 400TP, TPA
BASIC TYPE: RU

SHEET:
1 OF 1



ALL DIMENSIONS ARE IN INCHES AND MILLIMETERS

UNITS	P ²	AA	AB	AC	AF	AG	AJ	AK +.005	BB MIN	BE	BF	BV
IN	23.25	3.00	17.88	13.38	4.72	42.69	14.750	13.500	.25	.75	.69	18.13
MM	591		454	340	120	1084	374.65	342.90	6	19	18	461

UNITS	CD	EO	XO
IN	36.94	5.50	24.10
MM	938	140	612

FRAME	UNITS	BD MAX
400TP	IN	16.50
	MM	419
400TPA	IN	20.00
	MM	508

TOLERANCES	
FACE RUNOUT	.007 T.I.R
PERMISSIBLE ECCENTRICITY OF MOUNTING RABBET	.007 T.I.R

1. ALL ROUGH DIMENSIONS MAY VARY BY .25" DUE TO CASTING AND/OR FABRICATION VARIATIONS.
2. LARGEST MOTOR WIDTH.

3. CONDUIT BOX OPENING MAY BE LOCATED IN STEPS OF 90° REGARDLESS OF LOCATION. STANDARD AS SHOWN WITH CONDUIT OPENING DOWN.

Nidec Motor Corporation
St. Louis, Missouri

INFORMATION DISCLOSED ON THIS DOCUMENT IS CONSIDERED PROPRIETARY AND SHALL NOT BE REPRODUCED OR DISCLOSED WITHOUT WRITTEN CONSENT OF NIDEC MOTOR CORPORATION



ISSUED BY
E. AYALA
APPROVED BY
M. FLORES

IHP_DP_NMCA (MAR-2011) SOLIDEDGE