

EFFECTIVE:  
29-SEP-14

# DIMENSION PRINT

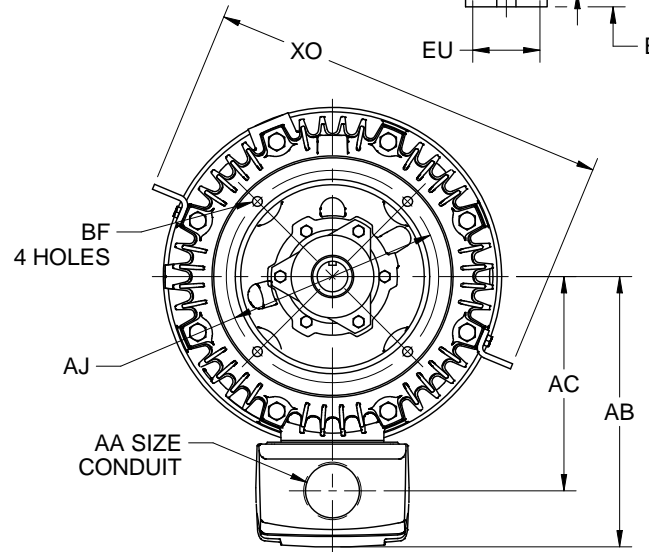
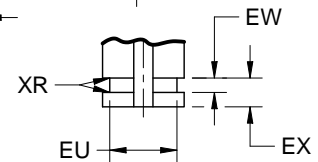
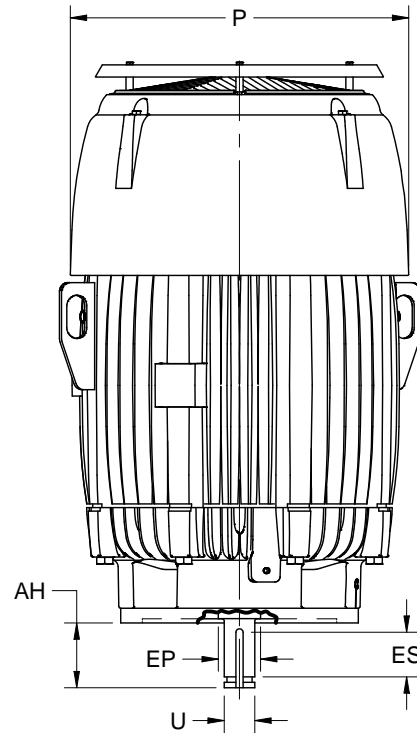
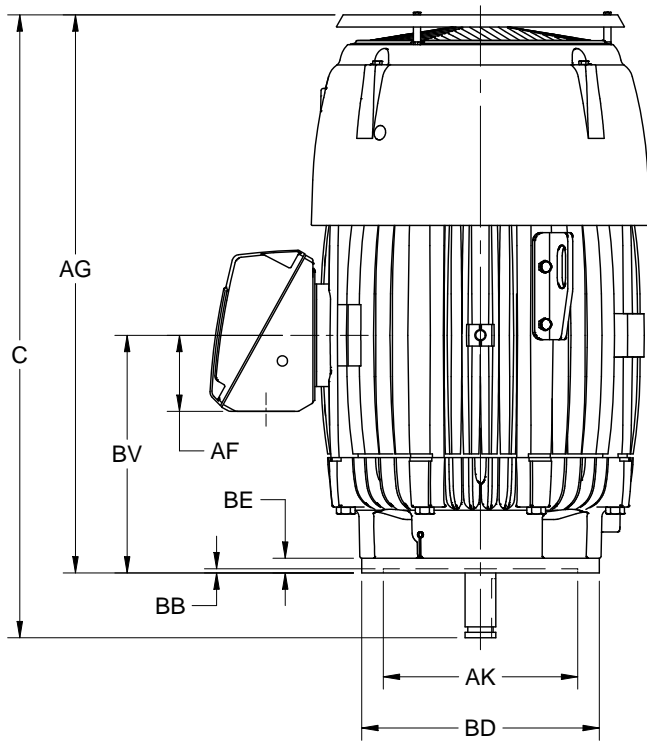
TEFC, VERTICALLY MOUNTED

PRINT:  
09-3119

SUPERSEDES:  
18-JUN-14

FRAME: 444, 445HP  
BASIC TYPE: TVC

SHEET:  
1 OF 1



ALL DIMENSIONS ARE IN INCHES AND MILLIMETERS

UNITS	C	P <sup>2</sup>	U -.001	AA
IN	43.25	23.50	2.125	3 1/2 NPT
MM	1098	597	53.98	

UNITS	AB	AC	AF	AG	AH
IN	18.78	14.88	5.28	38.75	4.50
MM	477	378	134	984	114

UNITS	AJ	AK +.005	BB MIN	BD MAX	BE
IN	14.750	13.500	.25	16.50	1.00
MM	374.65	342.90	6	419	25

UNITS	BF	BV	EP MIN	ES MIN	EU -.005
IN	.69	16.50	2.25	3.03	1.750
MM	18	419	57	77	44.45

UNITS	EW +.002	EX -.005	SQ KEY	XO	XR
IN	.375	.750	.500	27.75	.03
MM	9.53	19.05	12.70	705	1

TOLERANCES	
FACE RUNOUT	.006 T.I.R.
PERMISSIBLE ECCENTRICITY OF MOUNTING RABBET	.006 T.I.R.
PERMISSIBLE SHAFT RUNOUT	.002 T.I.R.

1. DIMENSIONS MAY VARY BY .25" DUE TO CASTING AND/OR FABRICATION VARIATIONS.
2. LARGEST MOTOR WIDTH.
3. CONDUIT OPENING MAY BE LOCATED IN STEPS OF 90 DEGREES. STANDARD AS SHOWN WITH OPENING DOWN.
4. TOLERANCES SHOWN ARE IN INCHES ONLY.

09-3119/A

**Nidec Motor Corporation**  
St. Louis, Missouri

INFORMATION DISCLOSED ON THIS DOCUMENT  
IS CONSIDERED PROPRIETARY AND SHALL NOT BE  
REPRODUCED OR DISCLOSED WITHOUT WRITTEN  
CONSENT OF NIDEC MOTOR CORPORATION



ISSUED BY  
**K. FRIEDMAN**  
APPROVED BY  
**J. O'BRIEN**

IHP\_DP\_NMCA (MAR-2011) SOLIDEDGE