

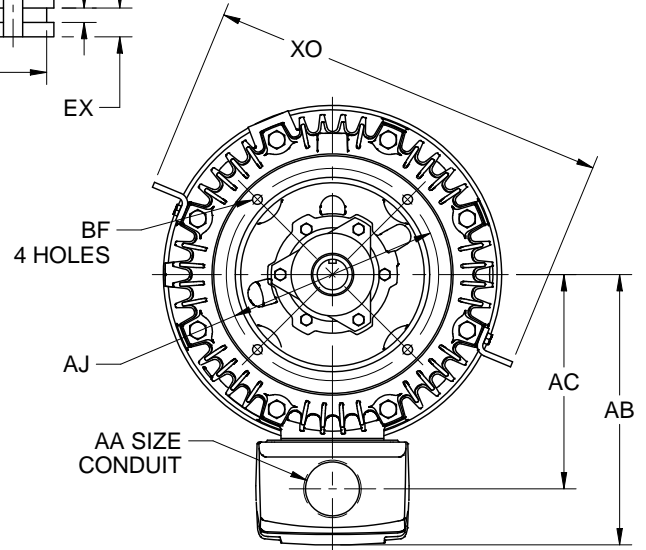
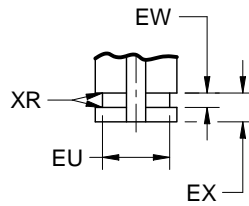
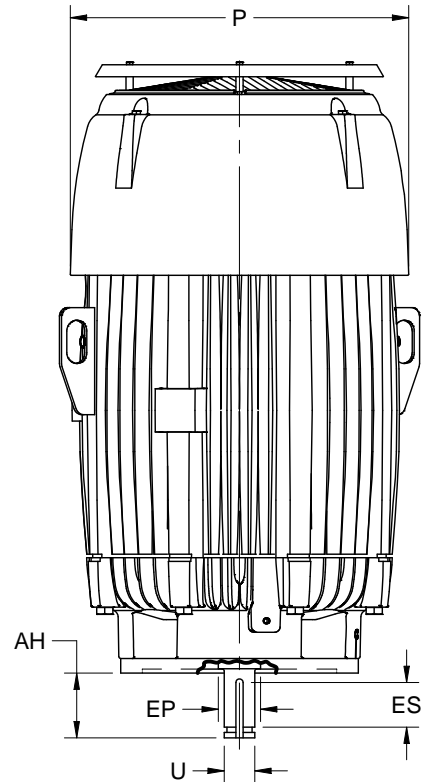
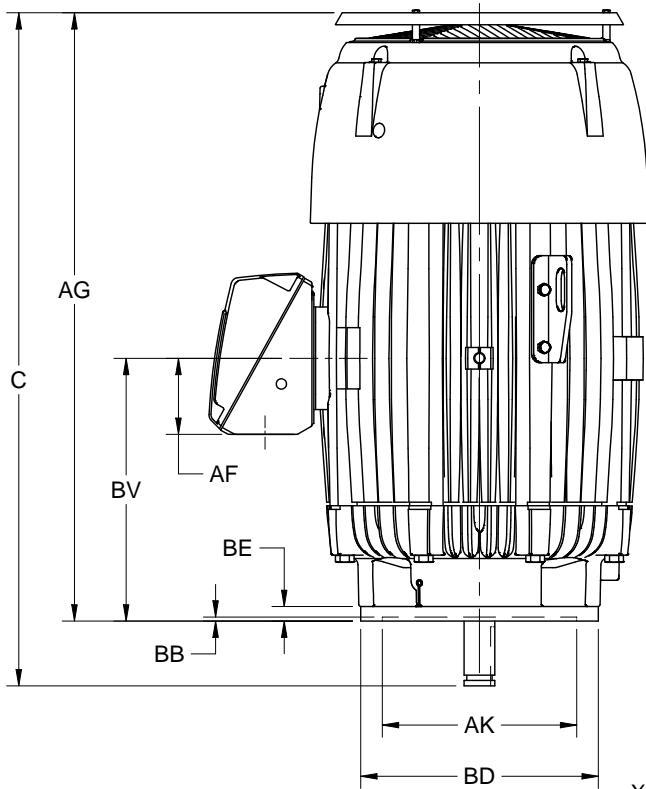
EFFECTIVE:
08-OCT-14

DIMENSION PRINT
TEFC, VERTICALLY MOUNTED
FRAME: 447HP
BASIC TYPE: TVC

PRINT:
09-3120

SUPERSEDES:
18-JUN-14

SHEET:
1 OF 1



ALL DIMENSIONS ARE IN INCHES AND MILLIMETERS

UNITS	C	P ²	U -.001	AA
IN	46.75	23.50	2.125	3 1/2 NPT
MM	1187	597	53.98	

UNITS	AB	AC	AF	AG	AH
IN	18.78	14.88	5.28	42.25	4.50
MM	477	378	134	1073	114

UNITS	AJ	AK +.005	BB MIN	BD MAX	BE
IN	14.750	13.500	.25	16.50	1.00
MM	374.65	342.90	6	419	25

UNITS	BF	BV	EP MIN	ES MIN	EU -.005
IN	.69	18.25	2.25	3.03	1.750
MM	18	464	57	77	44.45

UNITS	EW +.002	EX -.005	SQ KEY	XO	XR
IN	.375	.750	.500	27.75	.03
MM	9.53	19.05	12.70	705	1

TOLERANCES	
FACE RUNOUT	.006 T.I.R.
PERMISSIBLE ECCENTRICITY OF MOUNTING RABBIT	.006 T.I.R.
PERMISSIBLE SHAFT RUNOUT	.002 T.I.R.

1. DIMENSIONS MAY VARY BY .25" DUE TO CASTING AND/OR FABRICATION VARIATIONS.
2. LARGEST MOTOR WIDTH.
3. CONDUIT OPENING MAY BE LOCATED IN STEPS OF 90 DEGREES. STANDARD AS SHOWN WITH OPENING DOWN.
4. TOLERANCES SHOWN ARE IN INCHES ONLY.

09-3120/A

Nidec Motor Corporation
St. Louis, Missouri

INFORMATION DISCLOSED ON THIS DOCUMENT IS CONSIDERED PROPRIETARY AND SHALL NOT BE REPRODUCED OR DISCLOSED WITHOUT WRITTEN CONSENT OF NIDEC MOTOR CORPORATION



ISSUED BY
K. FRIEDMAN
APPROVED BY
J. O'BRIEN

IHP_DP_NMCA (MAR-2011) SOLIDEDGE