

EFFECTIVE:
03-JUL-19

DIMENSION PRINT

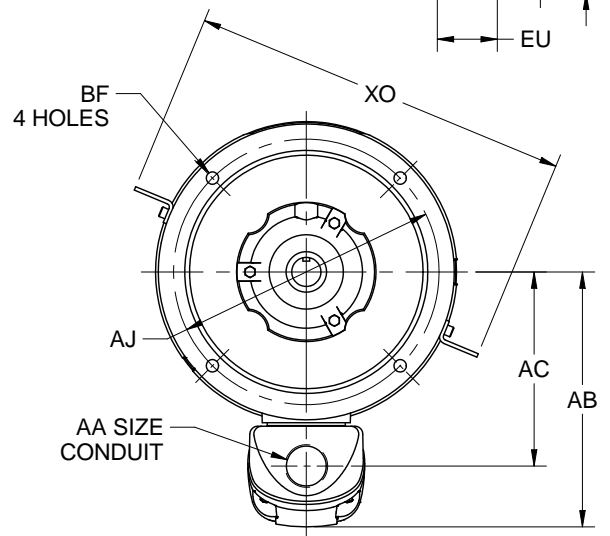
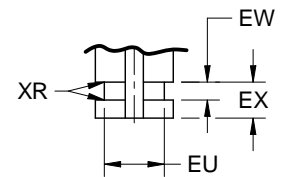
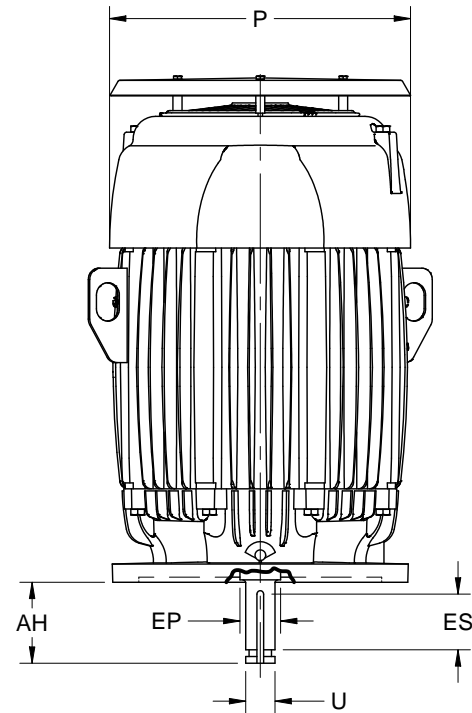
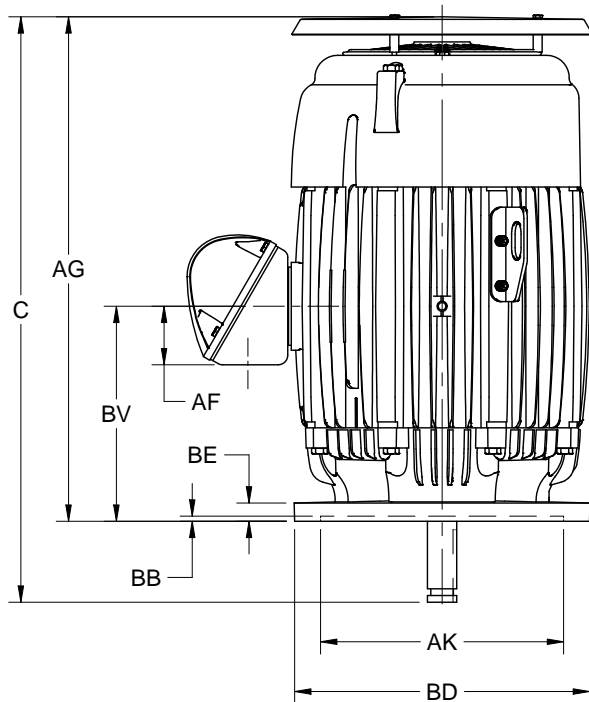
TEFC, VERTICALLY MOUNTED

PRINT:
09-3127-01

SUPERSEDES:
25-FEB-15

FRAME: 320VP
BASIC TYPE: TVC, CEV

SHEET:
1 OF 1



ALL DIMENSIONS ARE IN INCHES AND MILLIMETERS

UNITS	C	P ²	U -.0005	AA	AB	AC
IN	32.50	16.75	1.6250	2 NPT	14.25	10.75
MM	826	425	41.275		362	363

UNITS	AF	AG	AH	AJ	AK -.0005	BB MIN
IN	3.25	28.00	4.50	14.750	13.500	0.25
MM	83	711	114	374.65	342.90	6

UNITS	BD MAX	BE	BF	BV	EP MIN	ES MIN
IN	16.50	1.00	0.69	11.94	2.125	3.03
MM	419	27	18	303	54	77

UNITS	EU	EW +.002	EX -.005	SQ KEY	XO	XR
IN	1.125	0.375	0.750	0.375	21.13	0.03
MM	28.58	9.53	19.05	9.53	536	1

TOLERANCES	
FACE RUNOUT	.006 T.I.R.
PERMISSIBLE ECCENTRICITY OF MOUNTING RABBET	.006 T.I.R.
PERMISSIBLE SHAFT RUNOUT	.002 T.I.R.
FOR SPECIAL SHAFT RUNOUT	.001 T.I.R.

1. DIMENSIONS MAY VARY BY .25" DUE TO CASTING AND/OR FABRICATION VARIATIONS.
2. LARGEST MOTOR WIDTH.
3. CONDUIT OPENING MAY BE LOCATED IN STEPS OF 90 DEGREES. STANDARD AS SHOWN WITH OPENING DOWN.
4. TOLERANCES SHOWN ARE IN INCHES ONLY.

Nidec Motor Corporation
St. Louis, Missouri

INFORMATION DISCLOSED ON THIS DOCUMENT IS CONSIDERED PROPRIETARY AND SHALL NOT BE REPRODUCED OR DISCLOSED WITHOUT WRITTEN CONSENT OF NIDEC MOTOR CORPORATION



ISSUED BY
D. CISNEROS
APPROVED BY
E. MANCILLA