

EFFECTIVE:  
**08-SEP-14**

SUPERSEDES:  
**16-JUL-14**

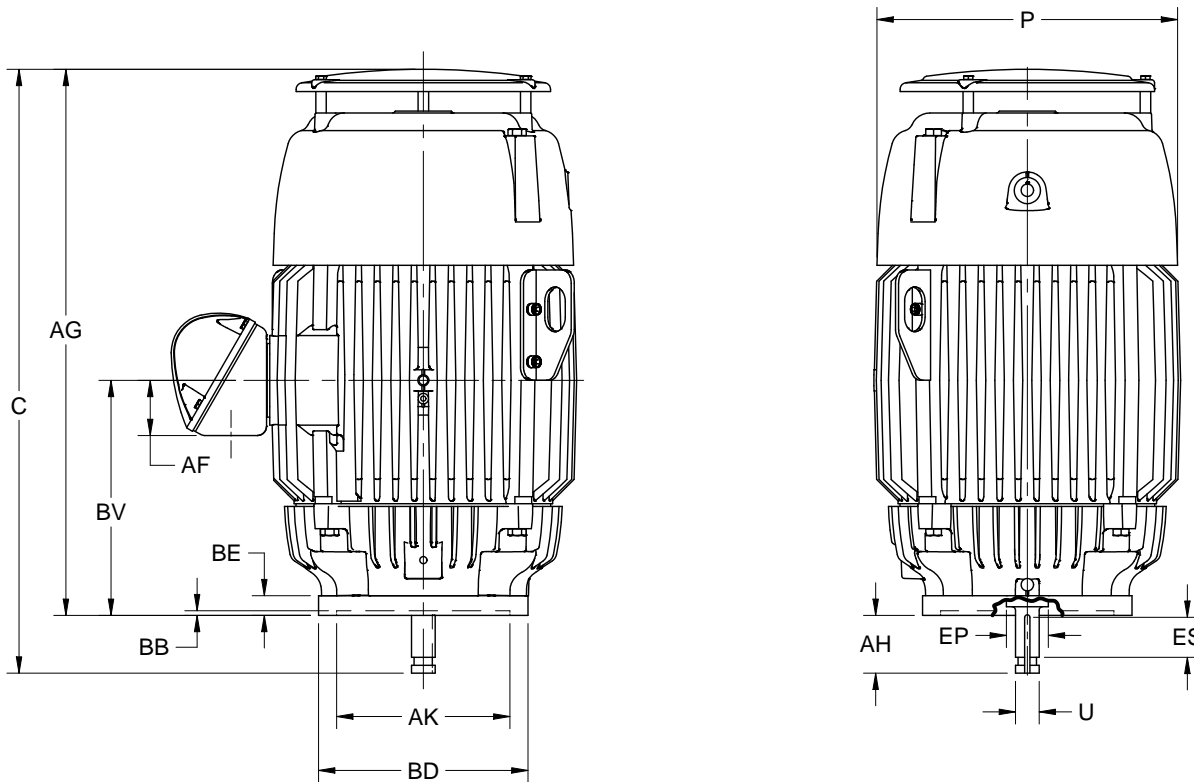
# DIMENSION PRINT

TEFC, VERTICALLY MOUNTED

FRAME: 280HP  
BASIC TYPE: TVCS

PRINT:  
**09-3128**

SHEET:  
**1 OF 1**



ALL DIMENSIONS ARE IN INCHES AND MILLIMETERS

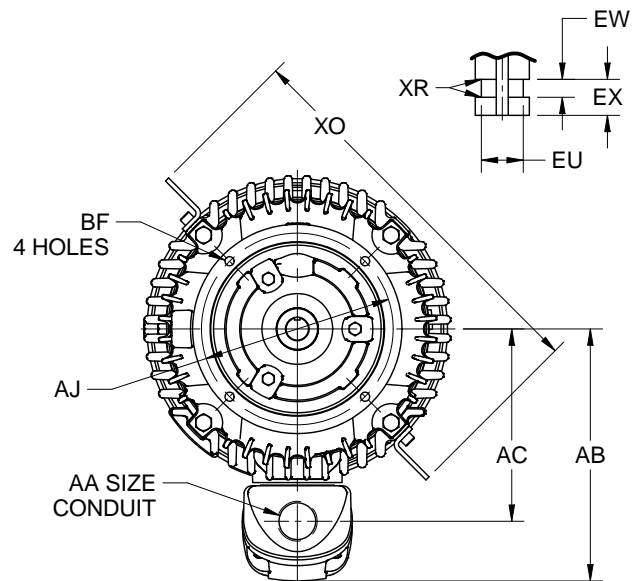
UNITS	C	P <sup>2</sup>	U -.0005	AA
IN	28.75	14.59	1.1250	1 1/2 NPT
MM	730	371	28.575	

UNITS	AB	AC	AF	AG	AH
IN	12.00	9.16	2.63	26.00	2.75
MM	305	233	67	660	70

UNITS	AJ	AK +.003	BB MIN	BD MAX	BE
IN	9.125	8.250	.19	10.00	.94
MM	231.78	209.55	5	254	24

UNITS	BF	BV	EP MIN	ES MIN	EU -.005
IN	.44	11.19	1.75	1.28	.875
MM	11	284	44	33	22.23

UNITS	EW +.002	EX -.005	SQ KEY	XO	XR
IN	.375	.750	.250	18.81	.03
MM	9.53	19.05	6.35	478	1



TOLERANCES	
FACE RUNOUT	.004 T.I.R.
PERMISSIBLE ECCENTRICITY OF MOUNTING RABBET	.004 T.I.R.
PERMISSIBLE SHAFT RUNOUT	.002 T.I.R.

1. DIMENSIONS MAY VARY BY .25" DUE TO CASTING AND/OR FABRICATION VARIATIONS.
2. LARGEST MOTOR WIDTH.
3. CONDUIT OPENING MAY BE LOCATED IN STEPS OF 90 DEGREES. STANDARD AS SHOWN WITH OPENING DOWN.
4. TOLERANCES SHOWN ARE IN INCHES ONLY.

09-3128/A

**Nidec Motor Corporation**  
St. Louis, Missouri

INFORMATION DISCLOSED ON THIS DOCUMENT IS CONSIDERED PROPRIETARY AND SHALL NOT BE REPRODUCED OR DISCLOSED WITHOUT WRITTEN CONSENT OF NIDEC MOTOR CORPORATION



ISSUED BY  
**K. FRIEDMAN**  
APPROVED BY  
**J. WAIDMANN**

IHP\_DP\_NMCA (MAR-2011) SOLIDEDGE