

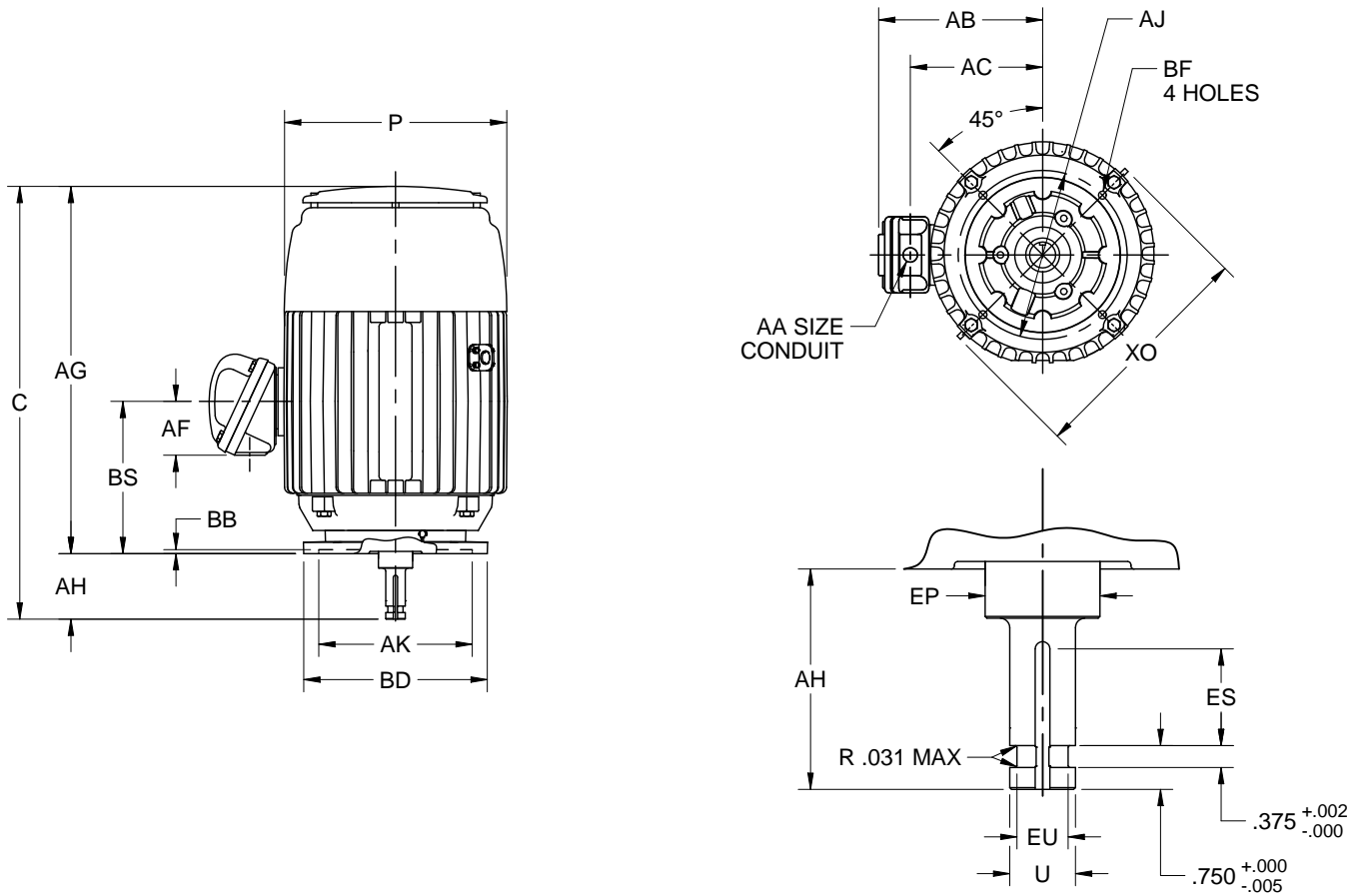
EFFECTIVE:
26-JUN-14

DIMENSION PRINT
TEFC WITH OVERSIZED BOX
FRAME: 250HP
BASIC TYPE: TVC

PRINT:
09-3129-01

SUPERSEDES:
NEW

SHEET:
1 OF 1



ALL DIMENSIONS ARE IN INCHES AND MILLIMETERS

UNITS	C	P ²	U -.0005	AA	AB	AC	AF	AG	AH	AJ	AK -.003	BB MIN
IN	26.53	13.31	1.1250	2 NPT	12.56	9.06	3.25	23.78	2.75	9.125	8.250	.19
MM	674	338	25.575		396	230	83	604	70	23.77	209.55	5

UNITS	BD MAX	BF	BV	EP MIN	ES MIN	EU -.005	SQ KEY	XO
IN	10.00	.44	10.00	1.750	1.28	.875	.250	15.96
MM	254		254	44.45	33	22.22	6.35	405

1. ALL ROUGH DIMENSIONS MAY VARY BY .25° DUE TO CASTING AND/OR FABRICATION VARIATIONS.
2. LARGEST MOTOR WIDTH.
3. CONDUIT BOX MAY BE LOCATED ON EITHER SIDE OR ON TOP OF MOTOR. CONDUIT OPENINGS MAY BE LOCATED IN STEPS OF 90 DEGREES REGARDLESS OF LOCATION. STANDARD AS SHOWN WITH CONDUIT OPENING DOWN.

TOLERANCES	
FACE RUNOUT	.004 T.I.R.
PERMISSIBLE ECCENTRICITY OF MOUNTING RABBET	.004 T.I.R.
PERMISSIBLE SHAFT RUNOUT	.002 T.I.R.

09-3129-01/-

Nidec Motor Corporation
St. Louis, Missouri

INFORMATION DISCLOSED ON THIS DOCUMENT IS CONSIDERED PROPRIETARY AND SHALL NOT BE REPRODUCED OR DISCLOSED WITHOUT WRITTEN CONSENT OF NIDEC MOTOR CORPORATION



ISSUED BY
M. YRISSON
APPROVED BY
J. WAIDMANN

IHP_DP_NMCA (MAR-2011) SOLIDEDGE