

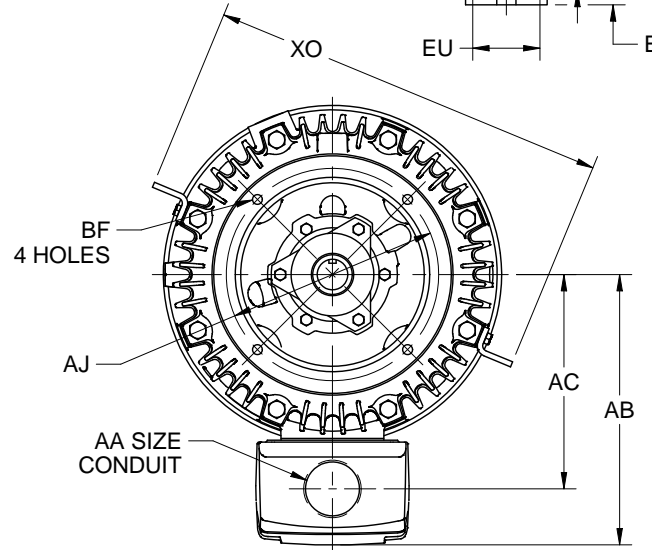
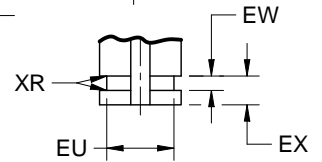
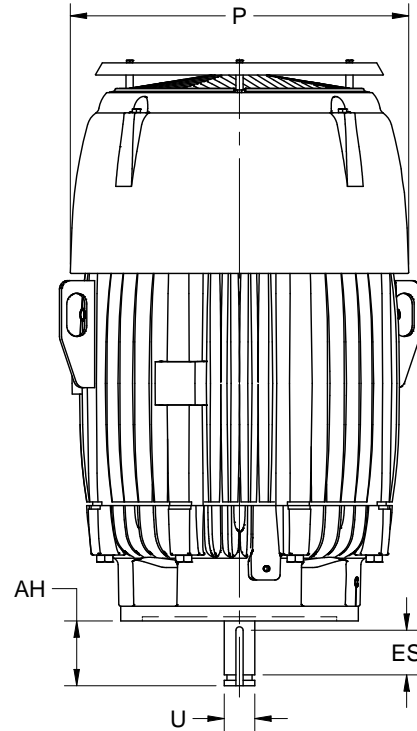
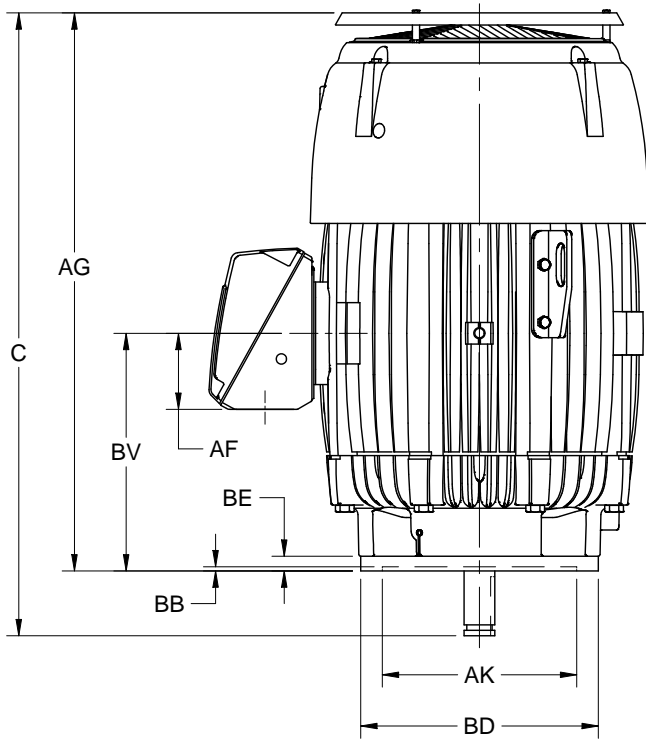
EFFECTIVE:
08-OCT-14

DIMENSION PRINT
TEFC, VERTICALLY MOUNTED
FRAME: 444, 445VP, VPA
BASIC TYPE: TV, TVC

PRINT:
09-3157

SUPERSEDES:
NEW

SHEET:
1 OF 1



ALL DIMENSIONS ARE IN INCHES AND MILLIMETERS

UNITS	C	P ²	U -.001	AA
IN	43.25	23.50	2.125	3 1/2 NPT
MM	1098	597	53.98	

UNITS	AB	AC	AF	AG
IN	18.78	14.88	5.28	38.75
MM	477	378	134	984

AH	AJ	AK +.005	BB MIN	BE
4.50	14.750	13.500	.25	1.00
114	374.65	342.90	6	25

UNITS	BF	BV	ES MIN	EU -.005
IN	.69	16.50	3.03	1.750
MM	18	419	77	44.45

FRAME	UNITS	BD MAX
440 VP	IN	16.50
	MM	419
440 VPA	IN	20.00
	MM	508

UNITS	EW +.002	EX -.005	SQ KEY	XO	XR
IN	.375	.750	.500	27.75	.03
MM	9.53	19.05	12.70	705	1

TOLERANCES	
FACE RUNOUT	.007 T.I.R.
PERMISSIBLE ECCENTRICITY OF MOUNTING RABBET	.007 T.I.R.
PERMISSIBLE SHAFT RUNOUT	.002 T.I.R.

1. DIMENSIONS MAY VARY BY .25" DUE TO CASTING AND/OR FABRICATION VARIATIONS.
2. LARGEST MOTOR WIDTH.
3. CONDUIT OPENING MAY BE LOCATED IN STEPS OF 90 DEGREES. STANDARD AS SHOWN WITH OPENING DOWN.
4. TOLERANCES SHOWN ARE IN INCHES ONLY.

09-3157/-

Nidec Motor Corporation
St. Louis, Missouri

INFORMATION DISCLOSED ON THIS DOCUMENT IS CONSIDERED PROPRIETARY AND SHALL NOT BE REPRODUCED OR DISCLOSED WITHOUT WRITTEN CONSENT OF NIDEC MOTOR CORPORATION



ISSUED BY
R. KING
APPROVED BY
J. O'BRIEN

IHP_DP_NMCA (MAR-2011) SOLIDEDGE