

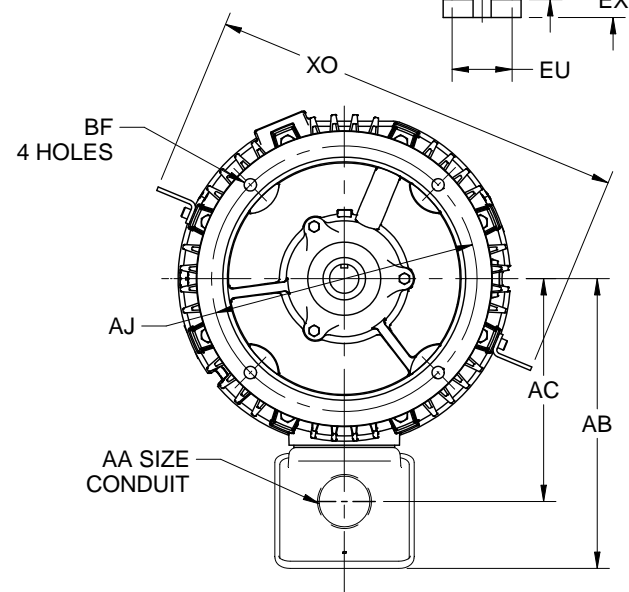
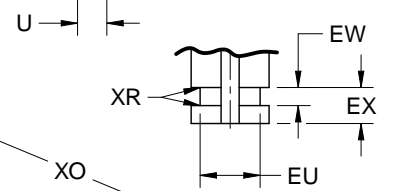
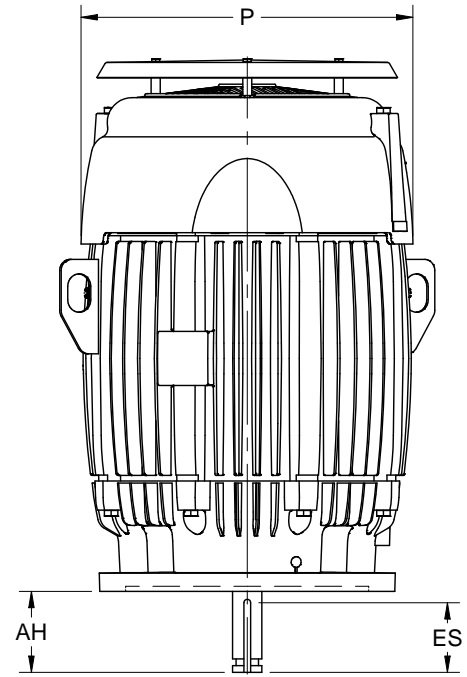
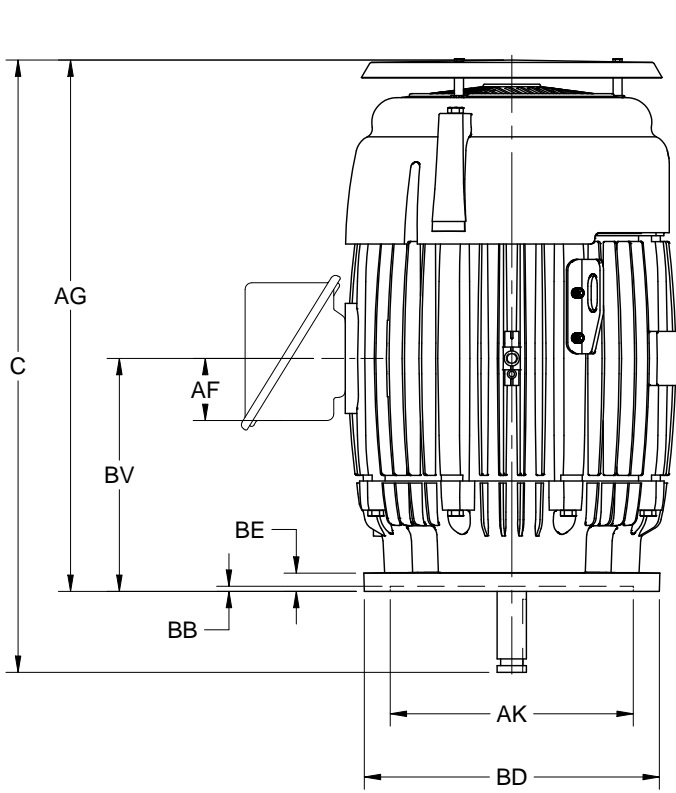
EFFECTIVE:
24-AUG-15

SUPERSEDES:
27-OCT-14

DIMENSION PRINT
TEFC, VERTICALLY MOUNTED
FRAME: 360VP, VPZ
BASIC TYPE: TVC

PRINT:
09-3161

SHEET:
1 OF 1



ALL DIMENSIONS ARE IN INCHES AND MILLIMETERS

UNITS	C	P ²	AA	AB	AC
IN	34.03	18.44	3 NPT	17.13	12.88
MM	864	468		435	327

UNITS	AF	AG	AH	AJ	AK +.005
IN	4.88	29.53	4.50	14.750	13.500
MM	124	750	114	374.65	342.90

UNITS	BB MIN	BD MAX	BE	BF	BV
IN	.25	16.50	1.00	.69	12.94
MM	6	419	25	18	329

UNITS	ES MIN	EW +.002	EX -.005	XO	XR
IN	3.03	.375	.750	23.00	.03
MM	77	9.53	19.05	584	1

FRAME	UNITS	U	EU	SQ KEY
360VP	IN	-.0005	1.250	.375
	MM	41.28	31.75	9.53
360VPZ	IN	2.125	1.750	.500
	MM	53.98	44.45	12.70

TOLERANCES	
FACE RUNOUT	.007 T.I.R.
PERMISSIBLE ECCENTRICITY OF MOUNTING RABBET	.007 T.I.R.
PERMISSIBLE SHAFT RUNOUT	.002 T.I.R.

1. DIMENSIONS MAY VARY BY .25" DUE TO CASTING AND/OR FABRICATION VARIATIONS.
2. LARGEST MOTOR WIDTH.
3. CONDUIT OPENING MAY BE LOCATED IN STEPS OF 90 DEGREES. STANDARD AS SHOWN WITH OPENING DOWN.
4. TOLERANCES SHOWN ARE IN INCHES ONLY.

09-3161/-

Nidec Motor Corporation
St. Louis, Missouri

INFORMATION DISCLOSED ON THIS DOCUMENT IS CONSIDERED PROPRIETARY AND SHALL NOT BE REPRODUCED OR DISCLOSED WITHOUT WRITTEN CONSENT OF NIDEC MOTOR CORPORATION



ISSUED BY
R. MARTINEZ
APPROVED BY
E. LIZANA

IHP_DP_NMCA (MAR-2011) SOLIDEDGE