

EFFECTIVE:  
**31-OCT-14**

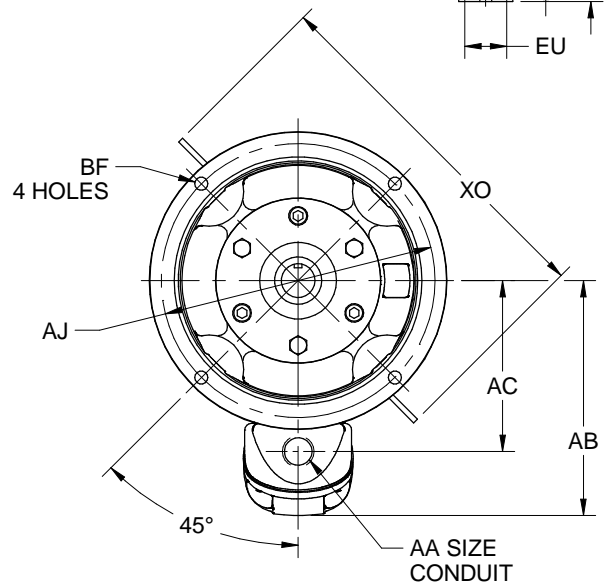
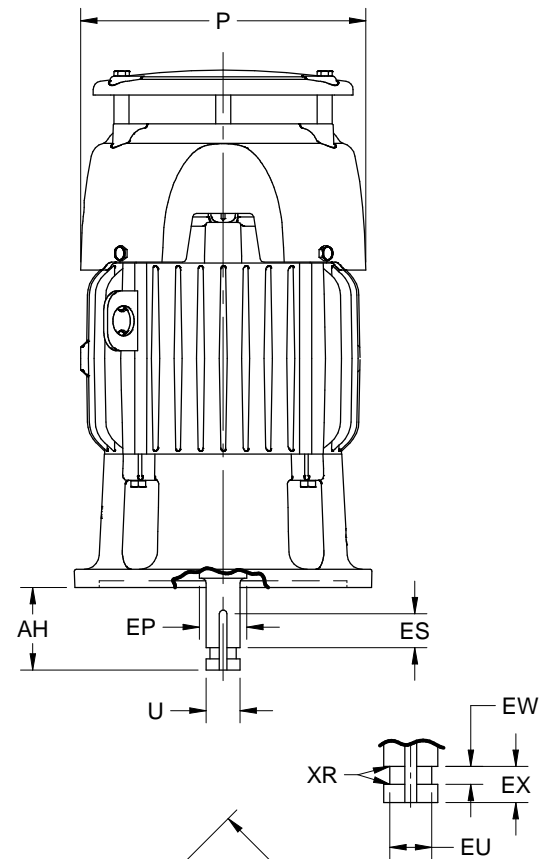
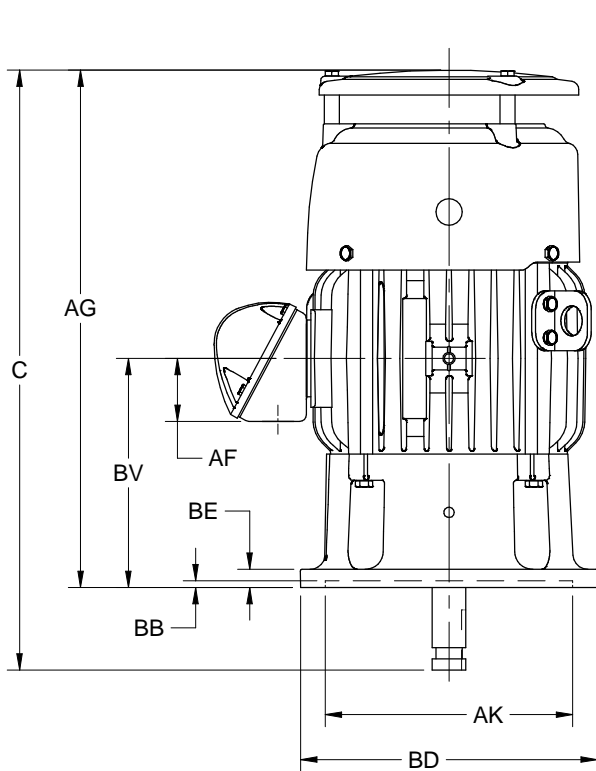
**DIMENSION PRINT**  
TEFC, VERTICALLY MOUNTED

PRINT:  
**09-3163**

SUPERSEDES:  
**NEW**

FRAME: 180VP  
BASIC TYPE: TVC

SHEET:  
**1 OF 1**



ALL DIMENSIONS ARE IN INCHES AND MILLIMETERS

UNITS	C	P <sup>2</sup>	U -.0005	AA
IN	20.00	9.50	1.1250	3/4 NPT
MM	508	241	28.575	

UNITS	AB	AC	AF	AG	AH
IN	7.81	5.69	2.13	17.25	2.75
MM	198	144	54	438	70

UNITS	AJ	AK +.003	BB MIN	BD MAX	BE
IN	9.125	8.250	.19	10.00	.63
MM	231.78	209.55	5	254	3

UNITS	BF	BV	EP MIN	ES MIN	EU -.005
IN	.44	7.63	1.16	1.28	.875
MM	11	194	29	33	22.23

UNITS	EW +.002	EX -.005	SQ KEY	XO	XR
IN	.375	.750	.250	12.16	.03
MM	9.53	19.05	6.35	309	1

TOLERANCES	
FACE RUNOUT	.004 T.I.R.
PERMISSIBLE ECCENTRICITY OF MOUNTING RABBIT	.004 T.I.R.
PERMISSIBLE SHAFT RUNOUT	.002 T.I.R.
FOR SPECIAL SHAFT RUNOUT	.001 T.I.R.

1. DIMENSIONS MAY VARY BY .25" DUE TO CASTING AND/OR FABRICATION VARIATIONS.
2. LARGEST MOTOR WIDTH.
3. CONDUIT OPENING MAY BE LOCATED IN STEPS OF 90 DEGREES. STANDARD AS SHOWN WITH OPENING DOWN.
4. TOLERANCES SHOWN ARE IN INCHES ONLY.

**Nidec Motor Corporation**  
St. Louis, Missouri

INFORMATION DISCLOSED ON THIS DOCUMENT IS CONSIDERED PROPRIETARY AND SHALL NOT BE REPRODUCED OR DISCLOSED WITHOUT WRITTEN CONSENT OF NIDEC MOTOR CORPORATION



ISSUED BY  
**L. CUESTA**  
APPROVED BY  
**D. PEREZ**

IHP\_DP\_NMCA (MAR-2011) SOLIDEDGE