

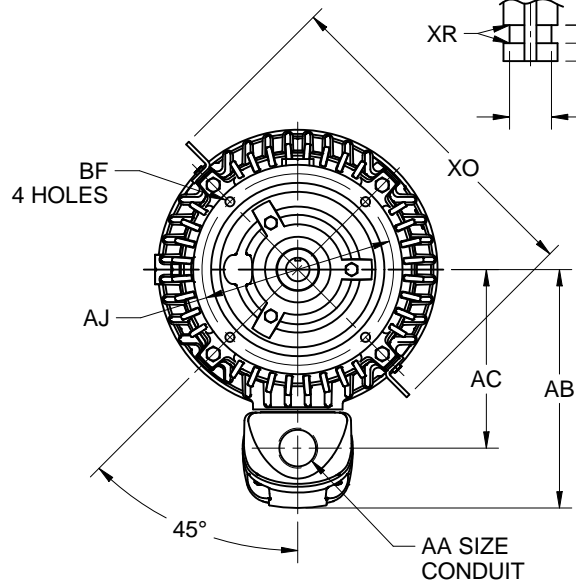
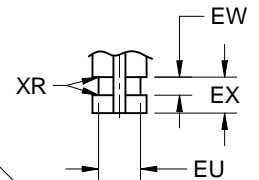
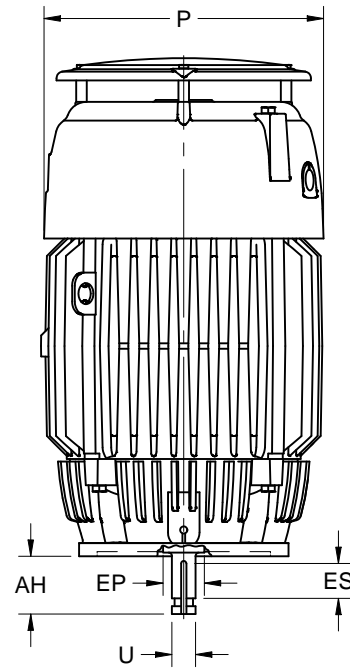
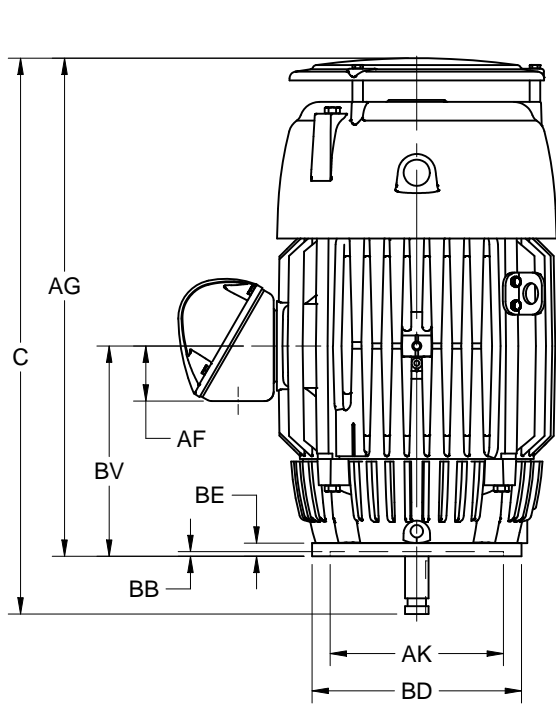
EFFECTIVE:
08-DEC-14

DIMENSION PRINT
TEFC, VERTICALLY MOUNTED
FRAME: 250VP
BASIC TYPE: TVC

PRINT:
09-3168

SUPERSEDES:
NEW

SHEET:
1 OF 1



ALL DIMENSIONS ARE IN INCHES AND MILLIMETERS

UNITS	C	P ²	U -.0005	AA 1 1/2 NPT
IN	26.47	13.31	1.1250	
MM	672	338	28.575	

UNITS	AB	AC	AF	AG	AH
IN	11.34	8.50	2.63	23.72	2.75
MM	288	216	67	602	70

UNITS	AJ	AK +.003	BB MIN	BD MAX	BE
IN	9.125	8.250	.19	10.00	.63
MM	231.78	209.55	5	254	3

UNITS	BF	BV	EP MIN	ES MIN	EU -.005
IN	.44	10.00	1.75	1.28	.875
MM	11	254	44	33	22.23

UNITS	EW +.002	EX -.005	SQ KEY	XO	XR
IN	.375	.750	.250	15.94	.03
MM	9.53	19.05	6.35	404	1

TOLERANCES	
FACE RUNOUT	.004 T.I.R.
PERMISSIBLE ECCENTRICITY OF MOUNTING RABBIT	.004 T.I.R.
PERMISSIBLE SHAFT RUNOUT	.002 T.I.R.

1. DIMENSIONS MAY VARY BY .25" DUE TO CASTING AND/OR FABRICATION VARIATIONS.
2. LARGEST MOTOR WIDTH.
3. CONDUIT OPENING MAY BE LOCATED IN STEPS OF 90 DEGREES. STANDARD AS SHOWN WITH OPENING DOWN.
4. TOLERANCES SHOWN ARE IN INCHES ONLY.

Nidec Motor Corporation
St. Louis, Missouri

INFORMATION DISCLOSED ON THIS DOCUMENT IS CONSIDERED PROPRIETARY AND SHALL NOT BE REPRODUCED OR DISCLOSED WITHOUT WRITTEN CONSENT OF NIDEC MOTOR CORPORATION



ISSUED BY
J. RIOS
APPROVED BY
M. RAMIREZ

IHP_DP_NMCA (MAR-2011) SOLIDEDGE