

EFFECTIVE:
16-DEC-14

DIMENSION PRINT

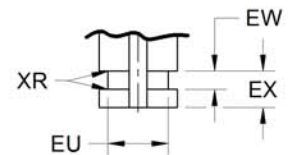
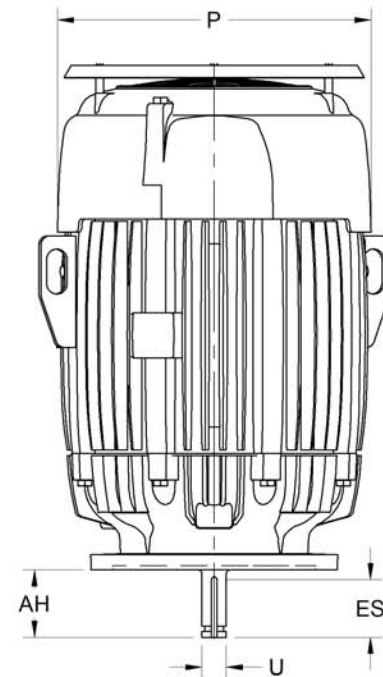
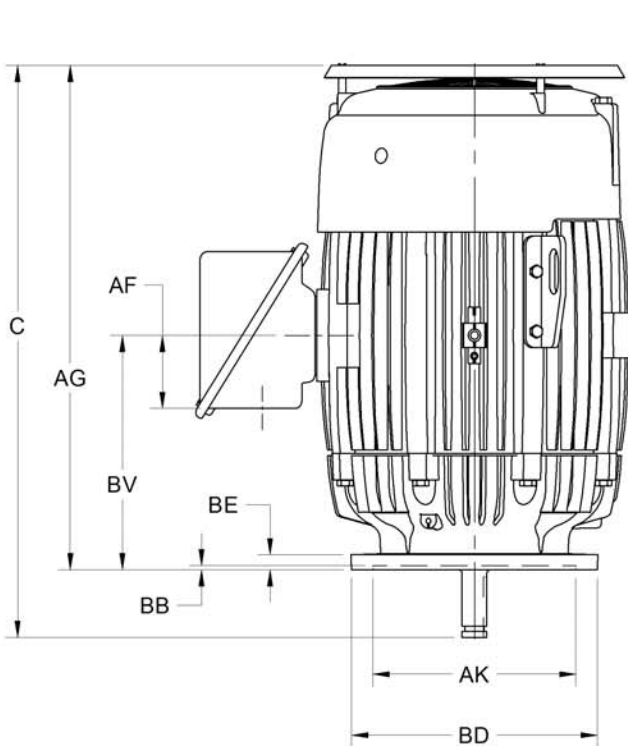
TEFC, VERTICALLY MOUNTED

PRINT:
09-3180

SUPERSEDES:
NEW

FRAME: 400VP
BASIC TYPE: TVC

SHEET:
1 OF 1



ALL DIMENSIONS ARE IN INCHES AND MILLIMETERS

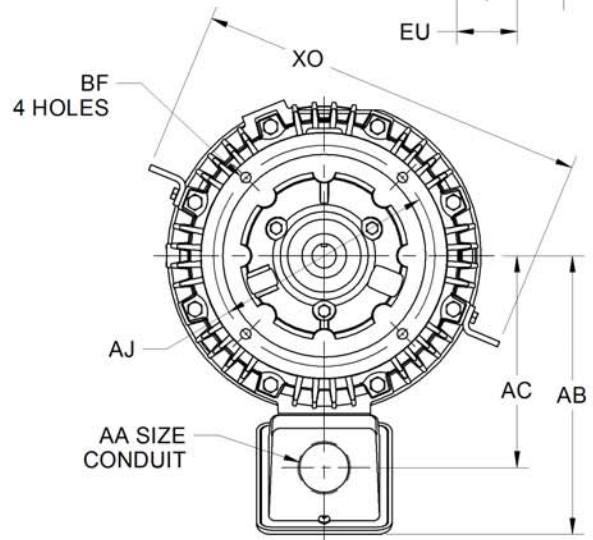
UNITS	C	P ²	U -.0005	AA	AB
IN	38.13	20.88	1.6250	3 NPT	18.56
MM	969	530	41.275		472

UNITS	AC	AF	AG	AH	AJ
IN	14.13	4.88	33.63	4.50	14.750
MM	359	124	854	114	374.65

UNITS	AK +.005	BB MIN	BD MAX	BE	BF
IN	13.500	.25	16.50	1.00	.69
MM	342.90	6	419	25	18

UNITS	BV	ES MIN	EU -.005	EW +.002	EX -.005
IN	15.63	3.03	1.125	.375	.750
MM	397	77	28.58	9.53	19.05

UNITS	SQ KEY	XO	XR
IN	.375	26.00	.03
MM	9.53	660	1



TOLERANCES	
FACE RUNOUT	.007 T.I.R.
PERMISSIBLE ECCENTRICITY OF MOUNTING RABBIT	.007 T.I.R.
PERMISSIBLE SHAFT RUNOUT	.002 T.I.R.

1. DIMENSIONS MAY VARY BY .25" DUE TO CASTING AND/OR FABRICATION VARIATIONS.
2. LARGEST MOTOR WIDTH.
3. CONDUIT OPENING MAY BE LOCATED IN STEPS OF 90 DEGREES. STANDARD AS SHOWN WITH OPENING DOWN.
4. TOLERANCES SHOWN ARE IN INCHES ONLY.

09-3180/-

Nidec Motor Corporation
St. Louis, Missouri

INFORMATION DISCLOSED ON THIS DOCUMENT
IS CONSIDERED PROPRIETARY AND SHALL NOT BE
REPRODUCED OR DISCLOSED WITHOUT WRITTEN
CONSENT OF NIDEC MOTOR CORPORATION



ISSUED BY
R. KING
APPROVED BY
J. O'BRIEN

IHP_DP_NMCA (MAR-2011) SOLIDEDGE