

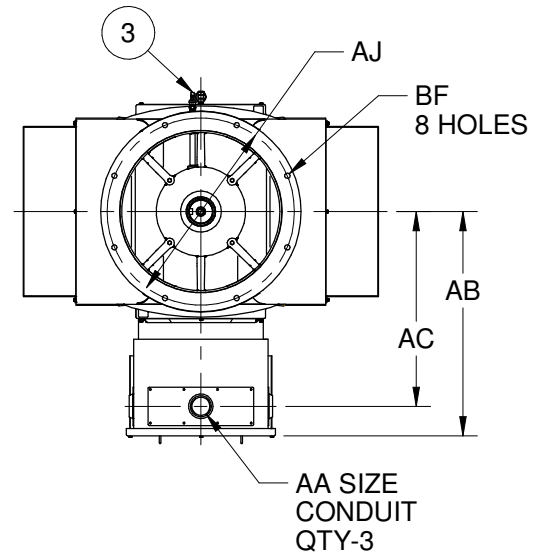
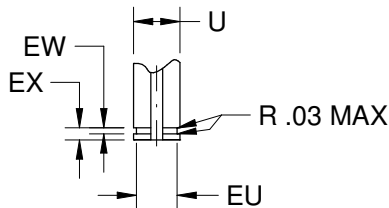
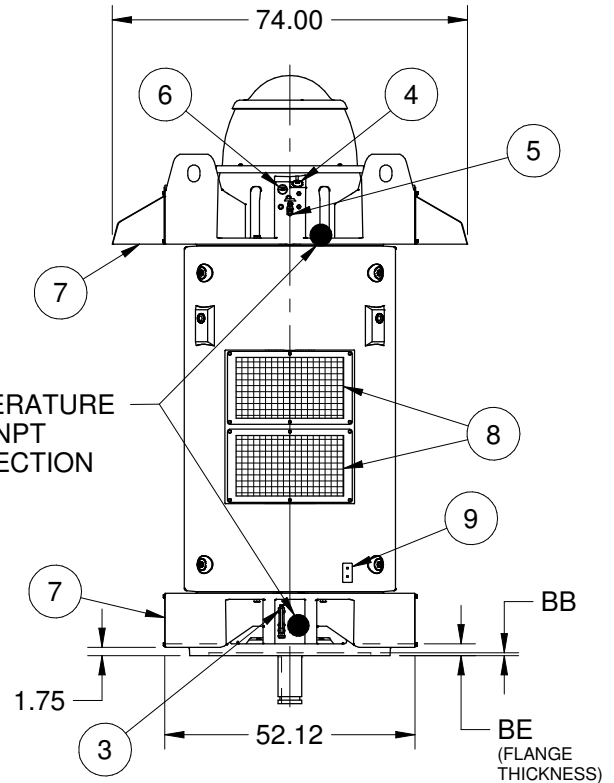
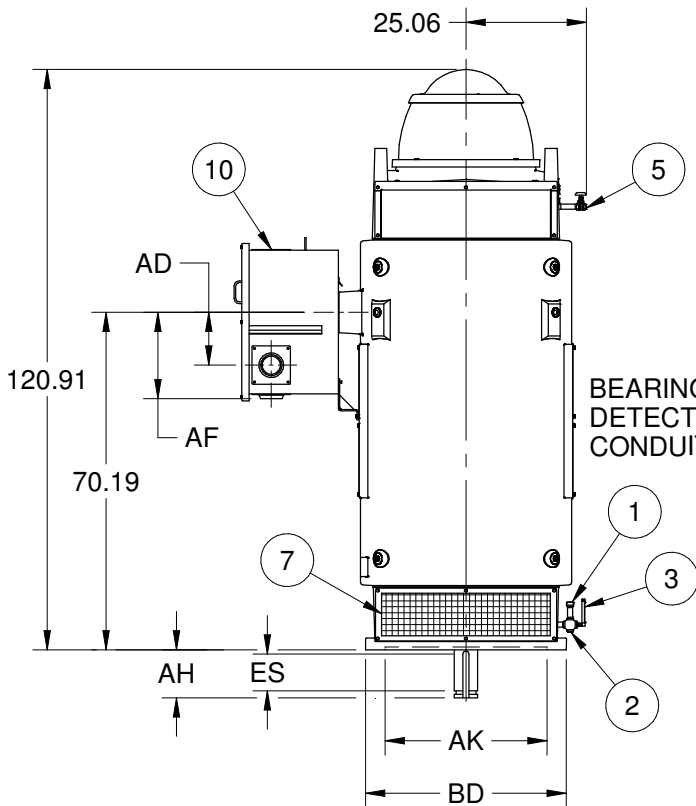
EFFECTIVE:  
**20-OCT-17**

SUPERSEDES:  
**NEW**

**DIMENSION PRINT**  
WEATHER PROTECTED TYPE I  
FRAME: 6813P, PA, PB  
BASIC TYPE: RV4

PRINT:  
**09-3328**

SHEET:  
**1 OF 1**



AA
2 NPT
2 1/2 NPT
3 NPT
3 1/2 NPT
4 NPT

C/BOX VOLUME (CU. IN.)	AB	AC	AD	AF	BB MIN	BE
16,200	46.56	40.31	11.00	17.81	.25	2.50

U	AH	ES MIN	EU	EW	EX	SQ KEY
-.001	±.062	MIN	-.005	+.002	-.005	
4.875	10.000	7.500	4.125	.750	1.500	1.250

FRAME	AJ	AK +.005	BD MAX	BF
6813P	26.00	22.000	30.50	.813
6813PA	32.00	26.000	36.00	.813
6813PB	39.00	33.750	42.00	1.250

FEATURE LISTING

1	LOWER SUMP OIL FILL	6	UPPER SUMP SIGHT WINDOW
2	LOWER SUMP OIL DRAIN	7	AIR INTAKE, 180° APART
3	LOWER SUMP SIGHT WINDOW	8	AIR EXHAUST, 180° APART
4	UPPER SUMP OIL FILL	9	GRD PADS, DIAG OPP, 1/2-13
5	UPPER SUMP OIL DRAIN	10	MAIN CONDUIT BOX

ALL DIMENSIONS ARE IN INCHES.

TOLERANCES	
FACE RUNOUT	.009 TIR
PERMISSIBLE ECCENTRICITY OF MOUNTING RABBET	.009 TIR
PERMISSIBLE SHAFT RUNOUT	.003 TIR
MAXIMUM SHAFT END PLAY	.010
NON-MACHINED DIMENSIONS MAY VARY BY ±.25	

**Nidec Motor Corporation**  
St. Louis, Missouri

INFORMATION DISCLOSED ON THIS DOCUMENT IS CONSIDERED PROPRIETARY AND SHALL NOT BE REPRODUCED OR DISCLOSED WITHOUT WRITTEN CONSENT OF NIDEC MOTOR CORPORATION



ISSUED BY  
**J. MAGALLANES**  
APPROVED BY  
**D. CISNEROS**

IHP\_DP\_NMCA (MAR-2011) SOLIDEDGE